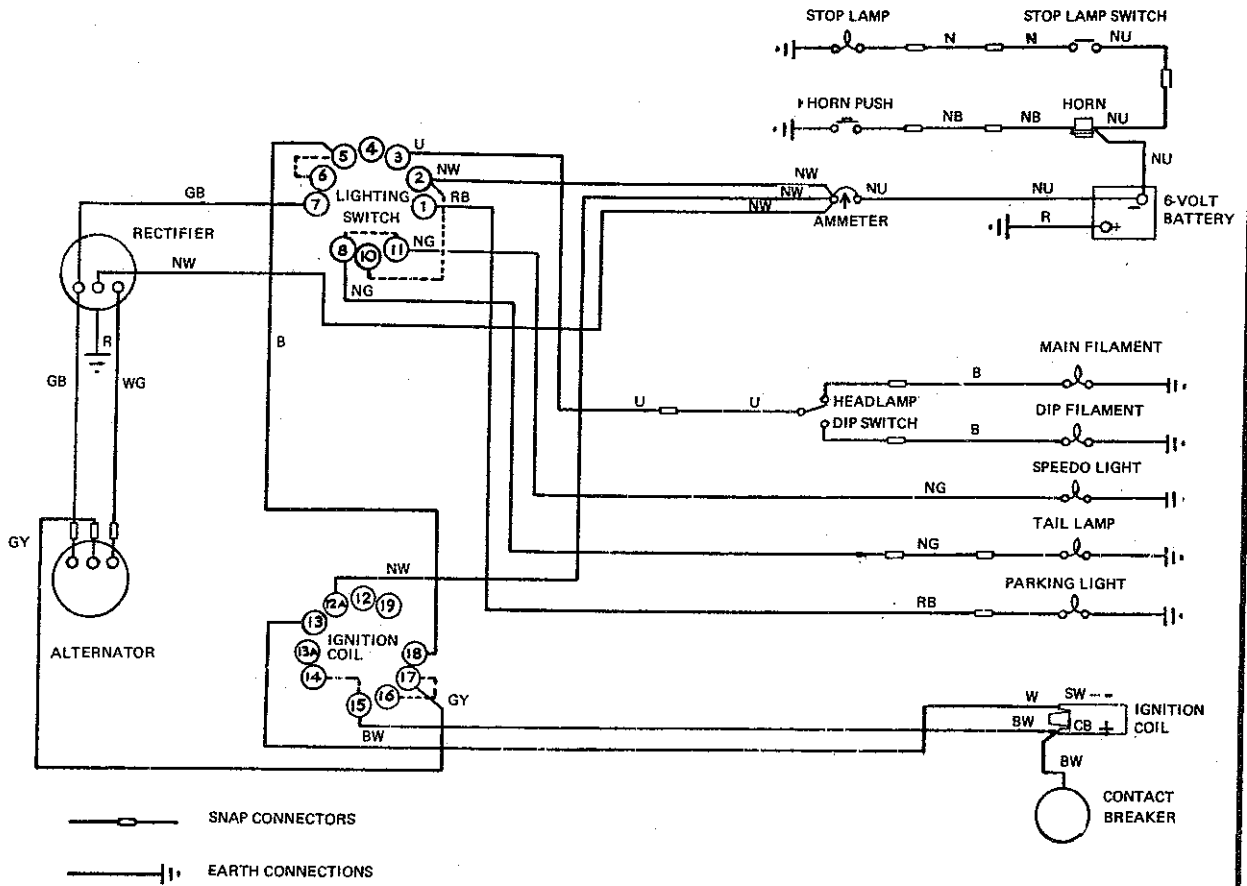


1024A



Cable colour code

P	Purple	G	Green
R	Red	W	White
B	Black	Y	Yellow
U	Blue	L	Light
N	Brown	D	Dark

Fig. 6.4. Wiring diagram for 1958 to 1966 'Star' models

Circuit Diagram.

A diagram of the charging and lighting circuit appears below. The rubber insulation of the wires is individually coloured and these colours are shown on the diagram.

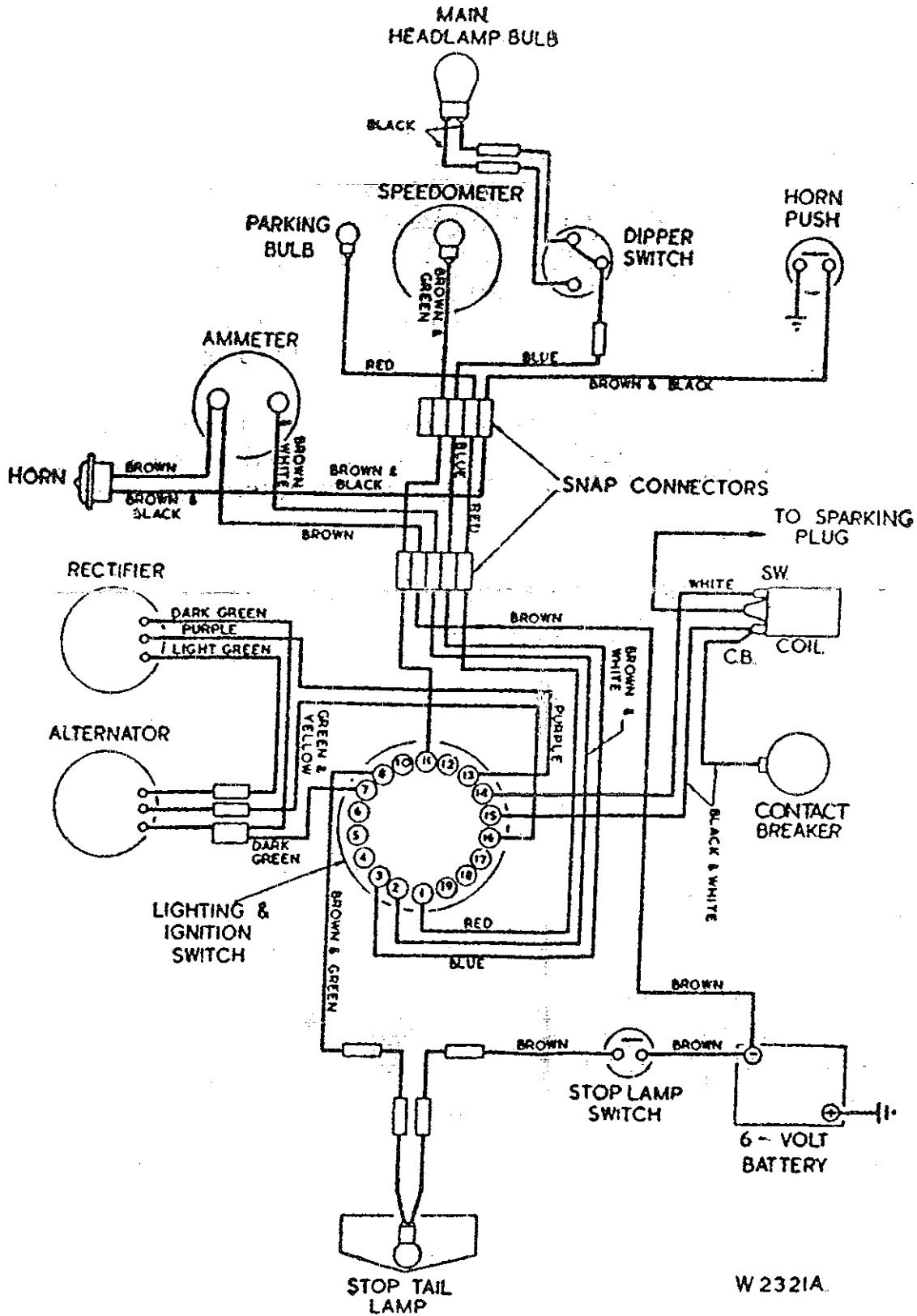
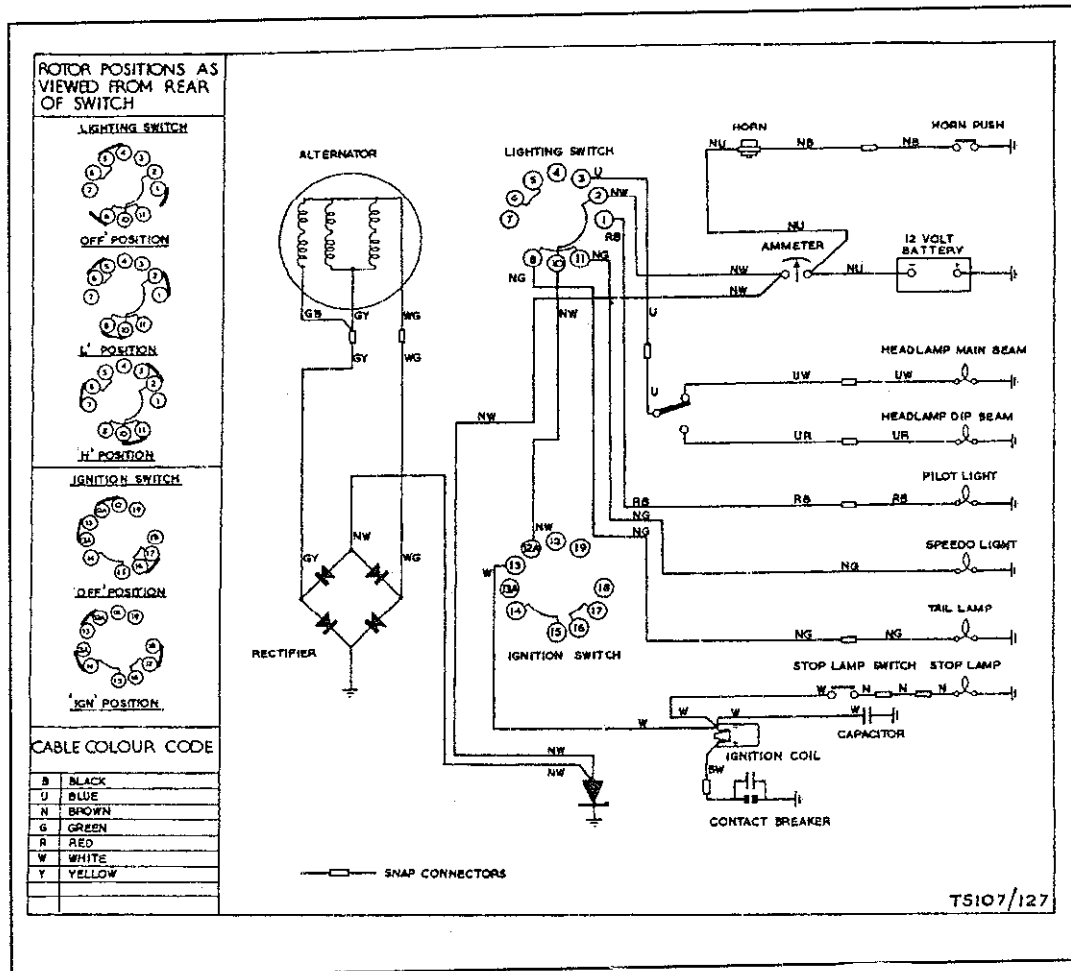


Fig. 24. Wiring Diagram.



DRAGANFLY MOTORCYCLES

The Old Town Maltings
 Broad Street
 BUNGAY NR35 1EE U.K.
 Tel: 01986 894798

LOOM N^o 1059 WD B40

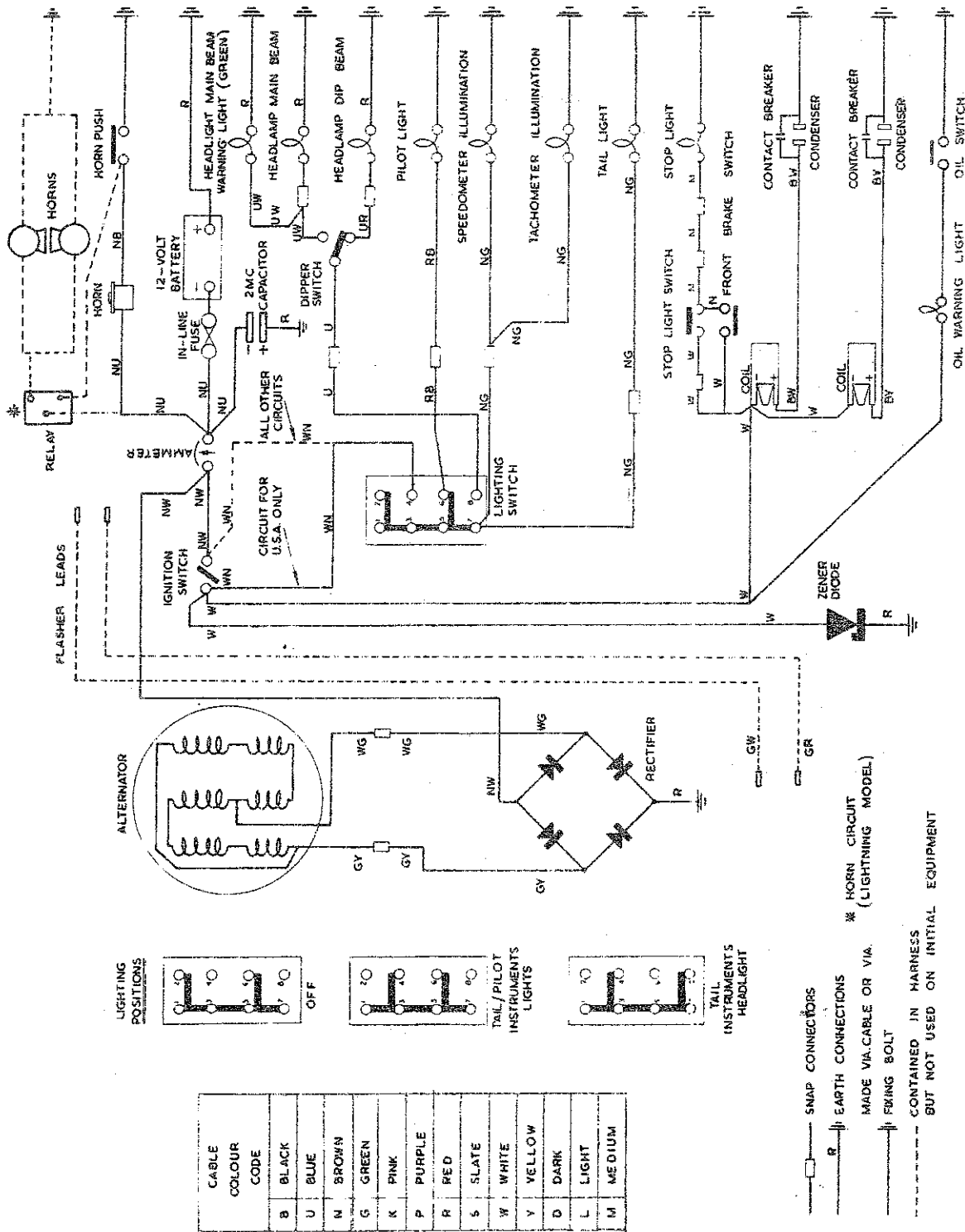
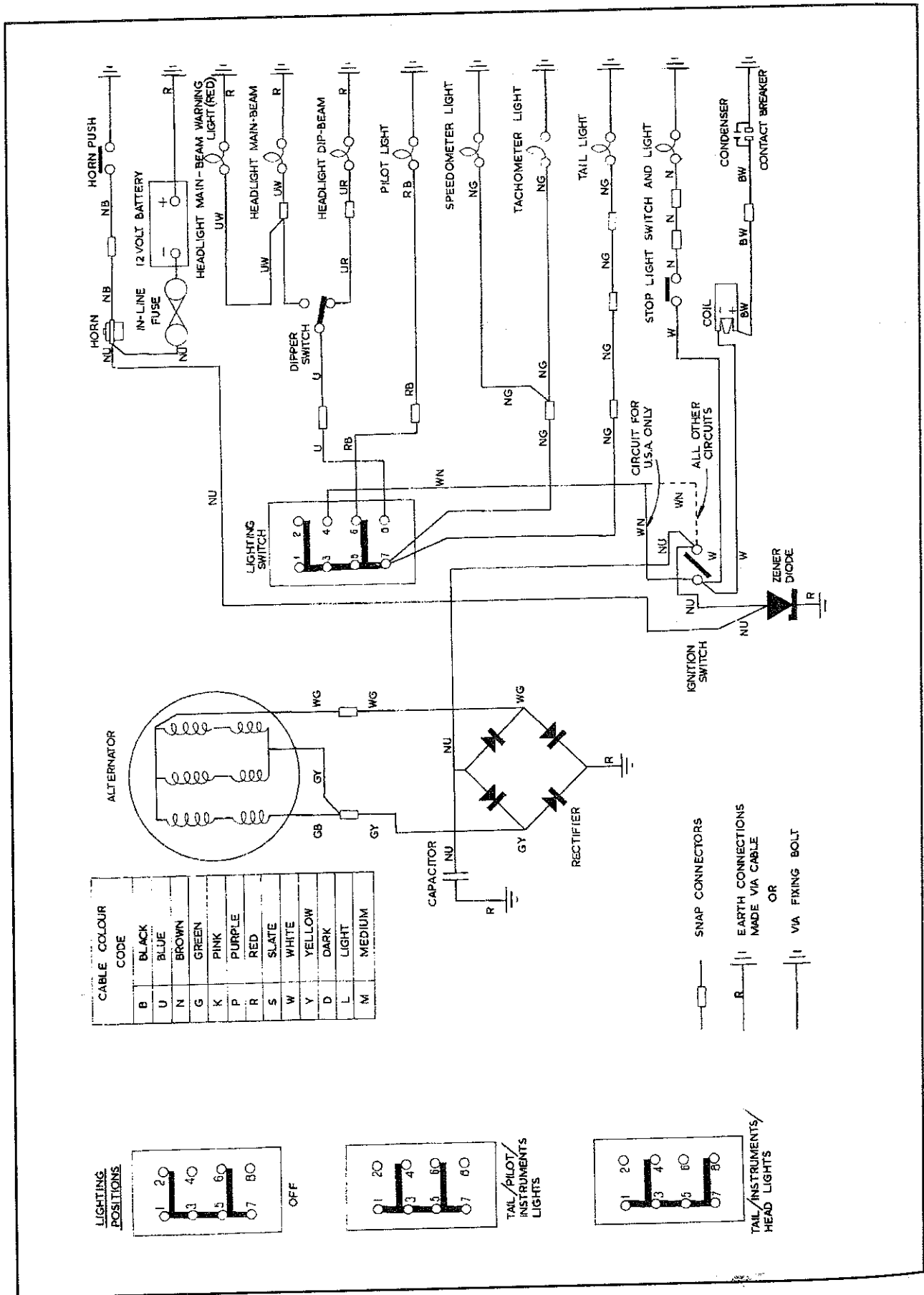


FIG G20.

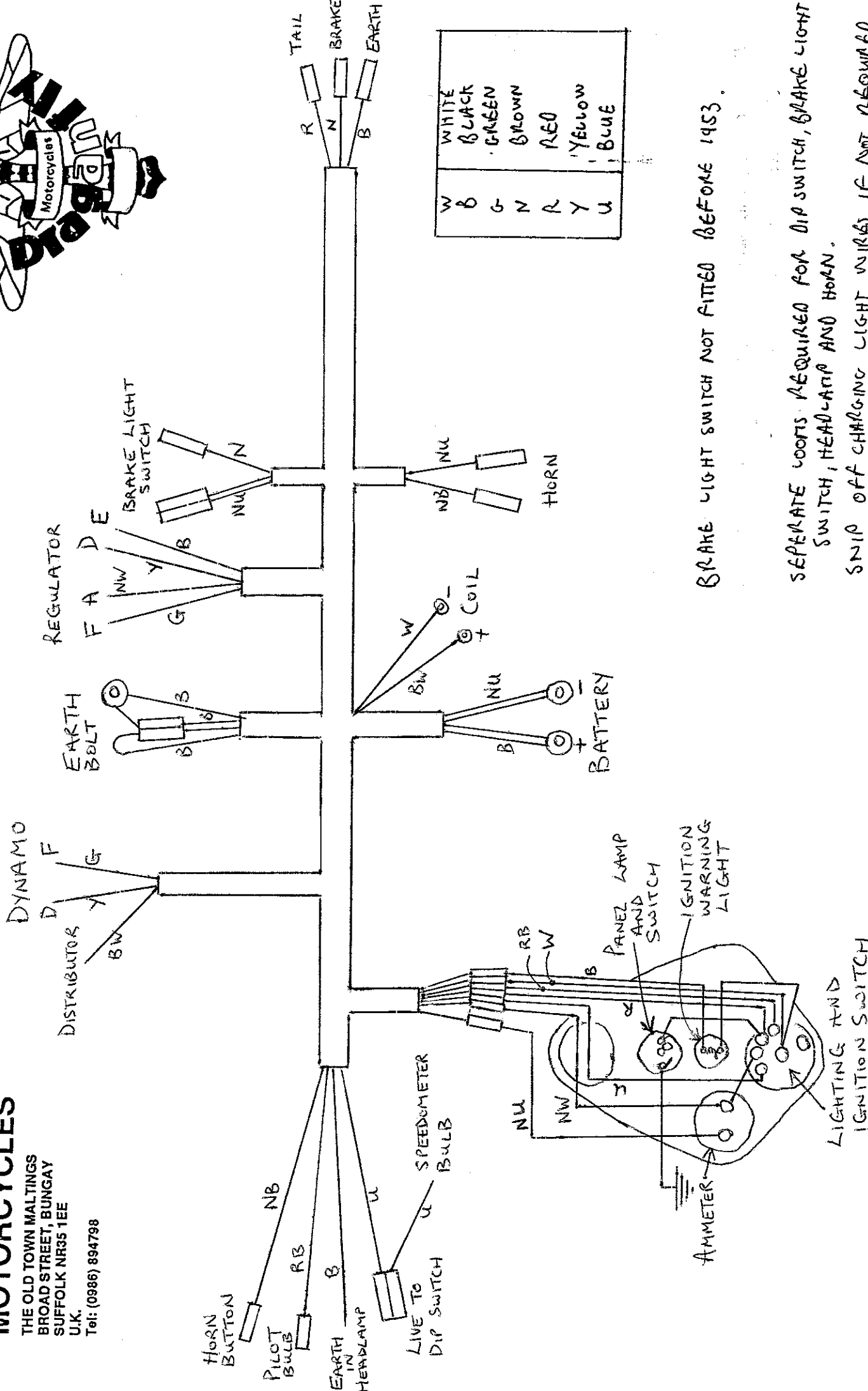


Illus 17.26 1968/69 B25/B44 wiring diagram

LOOM No. 3100
1950 MKI S04

DRAGANFLY MOTORCYCLES

THE OLD TOWN MALTINGS
BROAD STREET, BUNGAY
SUFFOLK NR35 1EE
U.K.
Tel: (0986) 894798



WHITE	W
BLACK	B
GREEN	G
BROWN	N
RED	R
YELLOW	Y
BLUE	U

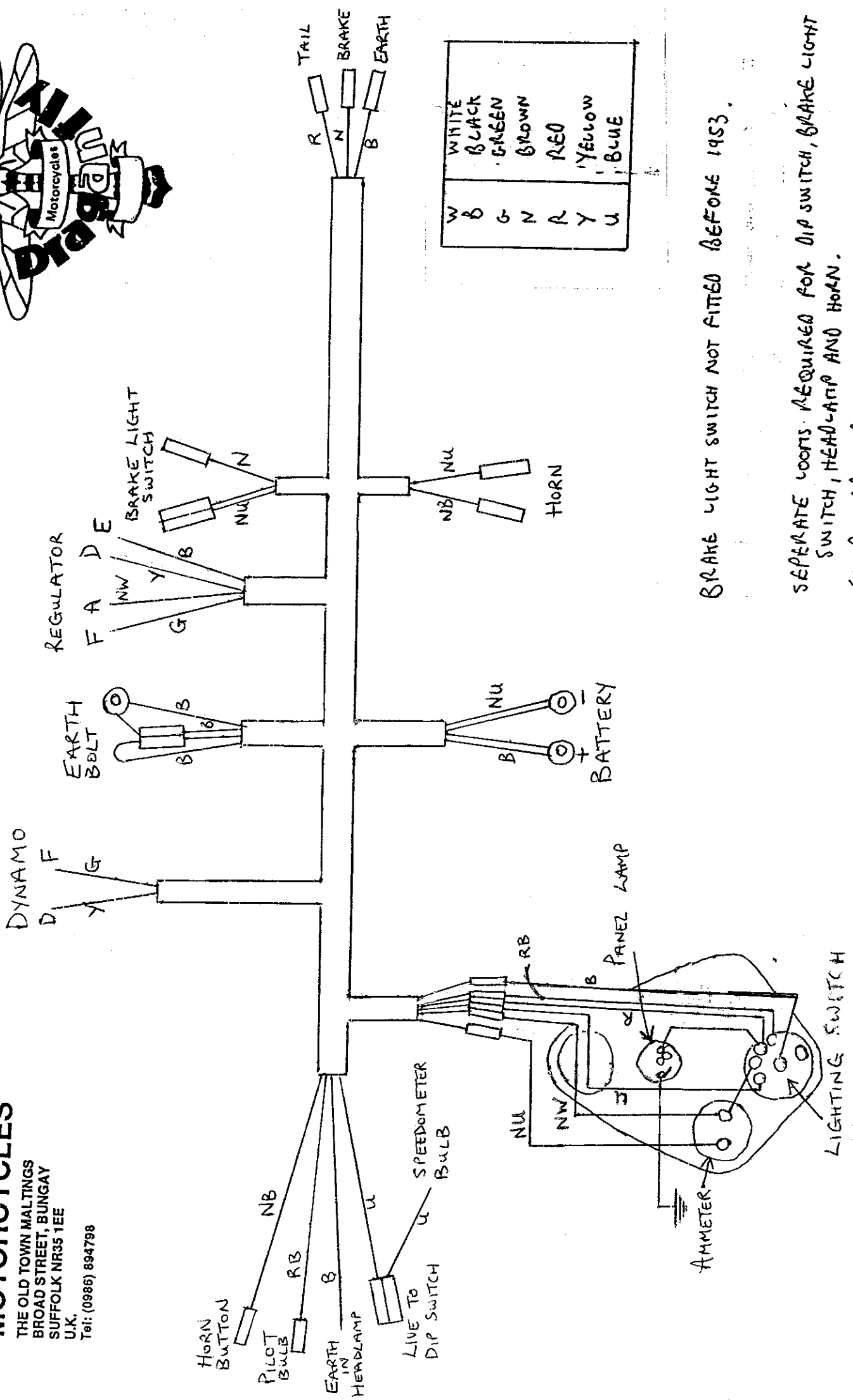
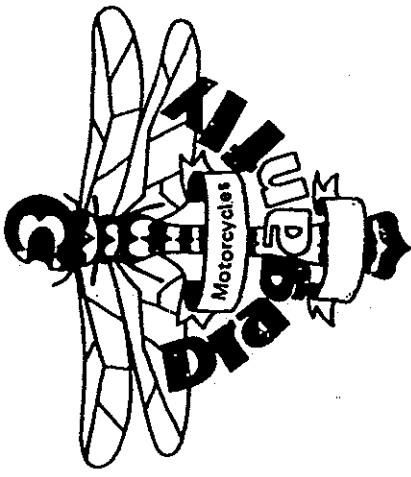
BRAKE LIGHT SWITCH NOT FITTED BEFORE 1953.
SEPERATE WOOMS REQUIRED FOR DIP SWITCH, BRAKE LIGHT SWITCH, HEADLAMP AND HORN.
SNIP OFF CHARGING LIGHT WIRES IF NOT REQUIRED

DRAGANFLY MOTORCYCLES

THE OLD TOWN MALTINGS
BROAD STREET, BUNGAY
SUFFOLK NR35 1EE
U.K.

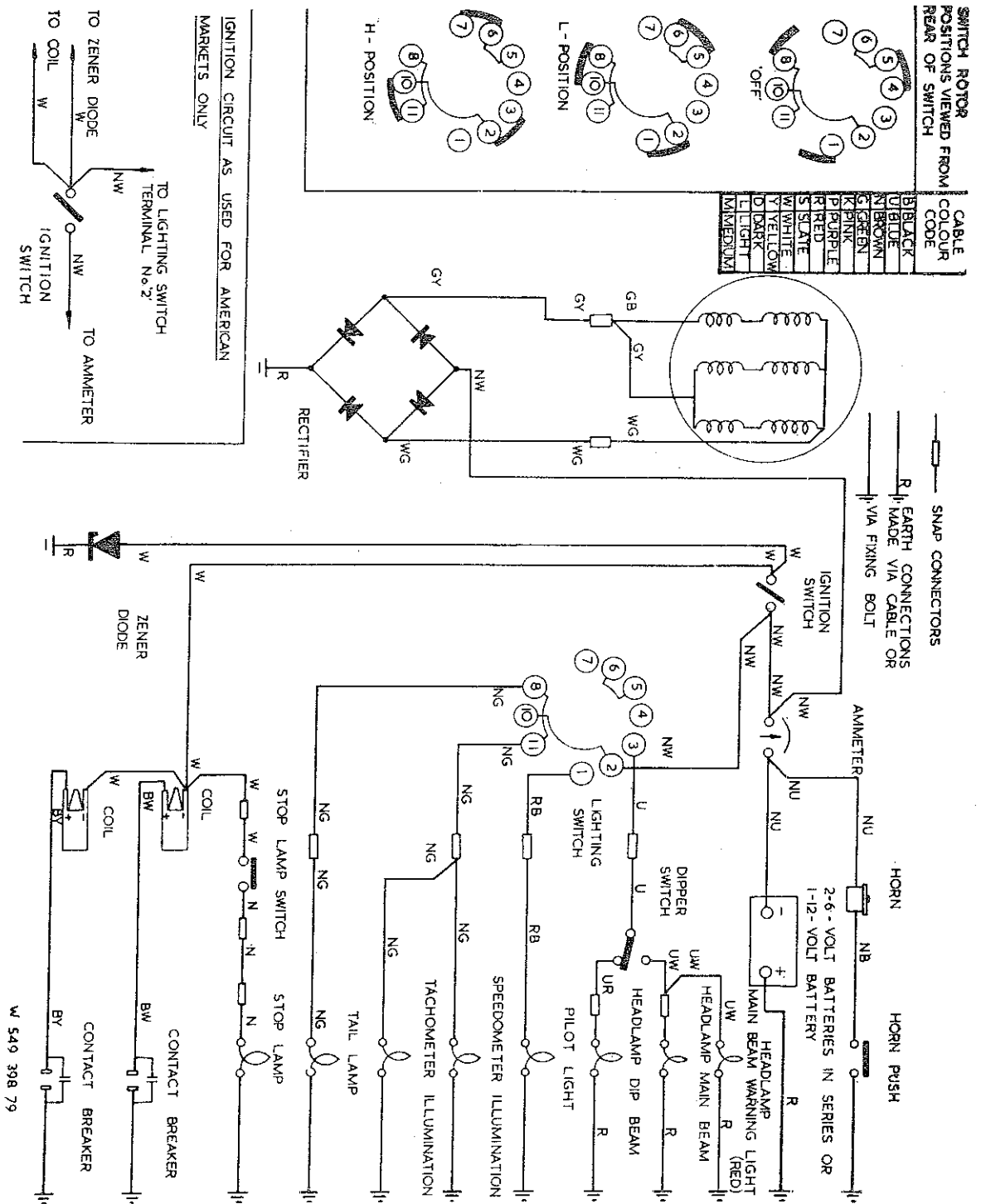
Tel: (0986) 894798

LOOM No. 1071/50
1950 MG/KH



BRAKE LIGHT SWITCH NOT FITTED BEFORE 1953.

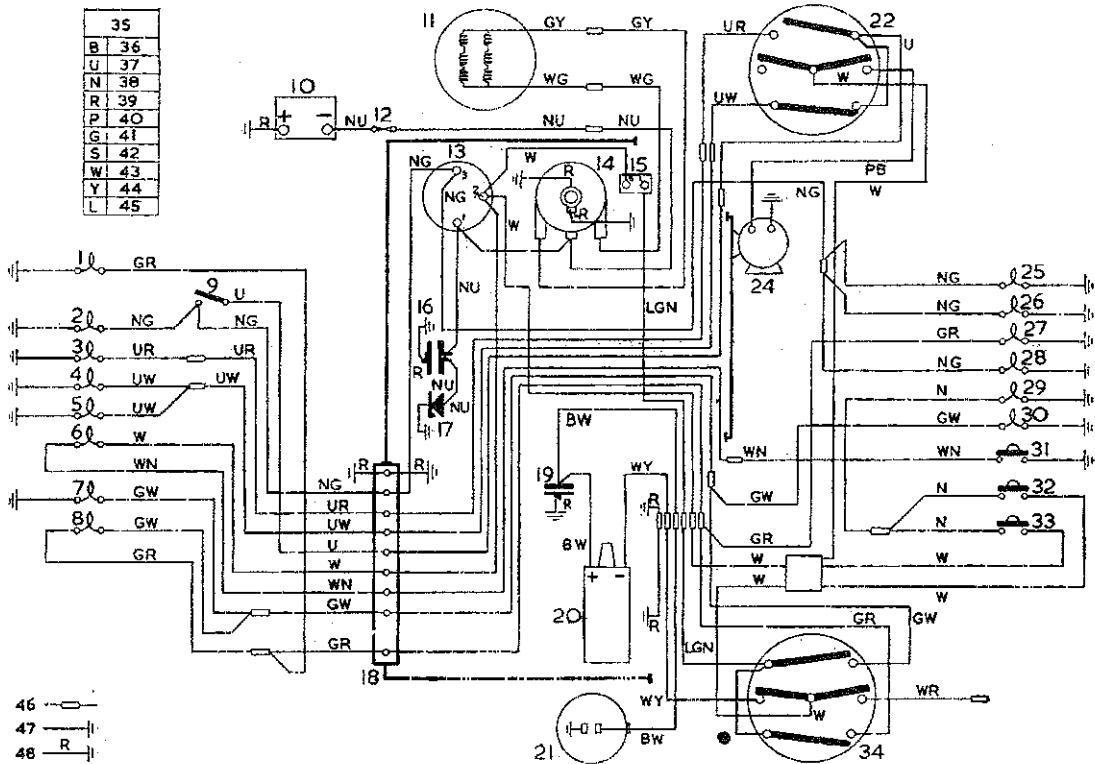
SEPERATE LOOMS REQUIRED FOR DIP SWITCH, BRAKE LIGHT SWITCH, HEADLAMP AND HORN.
SNIP OFF CHARGING LIGHT WIRES IF NOT REQUIRED



NOTE—IGNITION SWITCH—On machines for U.S.A. the single Lucar blade behind the switch accepts the feed cable only (coloured brown with identification tag) On all other machines the single Lucar blade accepts the ignition cable only

Draganfly Motorcycles
 The Old Town Maltings
 Broad Street
 Bungay NR35 1FE

LOOM N^o 1291 1967 A GROUP. 26NOR BOTTOM YOKE.
 AND LOOM N^o 1285 1966-7 A GROUP 26NOR UNDER SEAT



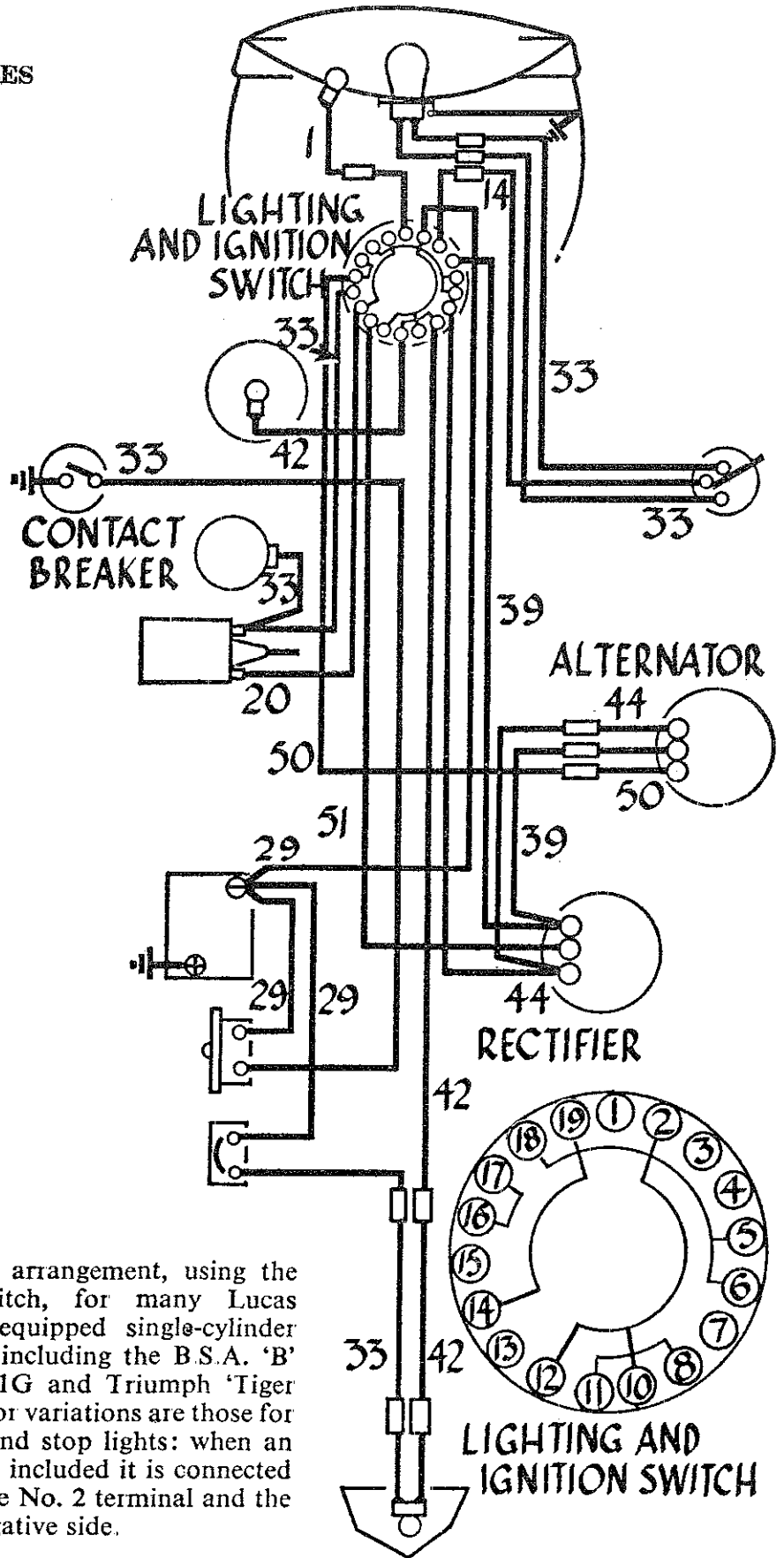
- | | | |
|--|--|--|
| 1. Left direction indicator. | 17. Zener-diode. | 34. Right handlebar switches. |
| 2. Parking light. | 18. Plug and socket (9-pin). | 35. Cable color code. |
| 3. Dipped headlight beam | 19. Ignition capacitor. | 36. Black. |
| 4. Main headlight beam | 20. Ignition coil. | 37. Blue. |
| 5. Main beam warning light. | 21. Contact breaker. | 38. Brown. |
| 6. Oil pressure warning light (250 cm ³ only) | 22. Left handlebar switches. | 39. Red |
| 7. Right direction indicator. | 23. | 40. Purple |
| 8. Direction indicator warning light. | 24. Horn. | 41. Green |
| 9. Headlight switch | 25. Speedometer light. | 42. Slate |
| 10. Battery. | 26. Tachometer light | 43. White. |
| 11. Alternator | 27. Left direction indicator. | 44. Yellow. |
| 12. Fuse. | 28. Rear light. | 45. Light. |
| 13. Ignition/lighting switch. | 29. Stop light. | 46. Snap connectors. |
| 14. Rectifier. | 30. Right direction indicator. | 47. Ground (earth) connection via cable. |
| 15. Direction indicator unit | 31. Oil pressure switch (250 cm ³ only) | 48. Ground (earth) connection via fixing bolt. |
| 16. Capacitor (2 M C) | 32/33. Front and rear brake light switches | |

Illus 17 28 1971-72 B25/B50 wiring diagram for SS and I models.

1020

DRAGANFLY MOTORCYCLES

The Old Town Maltings
Broad Street
BUNGAY NR35 1EE U.K.
Tel: 01986 894798
e-mail: spence@draganfly.co.uk



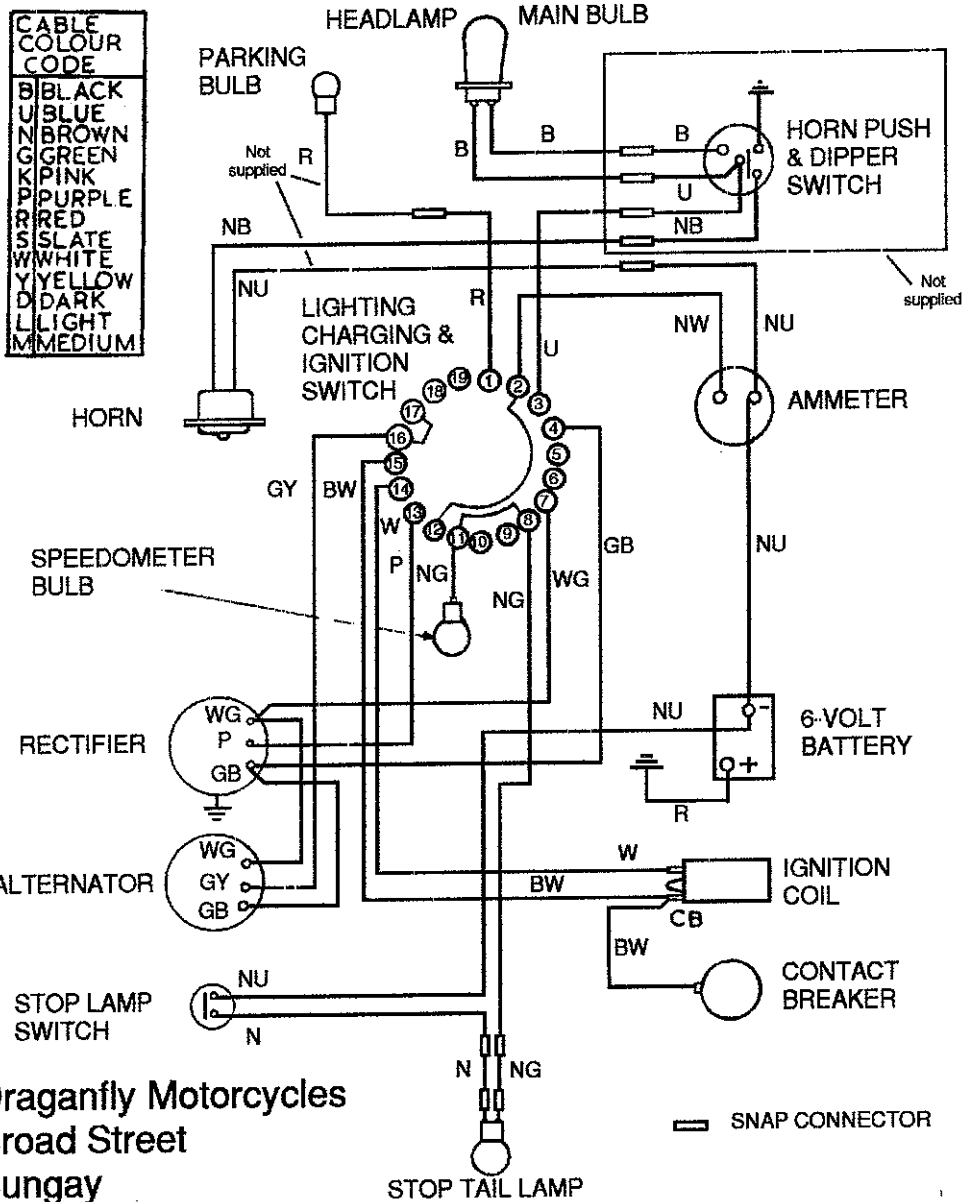
A general arrangement, using the PRS8 switch, for many Lucas alternator-equipped single-cylinder machines, including the B.S.A. 'B' group, C11G and Triumph 'Tiger Cub'. Minor variations are those for the horn and stop lights: when an ammeter is included it is connected between the No. 2 terminal and the battery negative side.

Loom 1020

B Group Models

(FITTED WITH ALTERNATOR)

WIRING DIAGRAM (Positive Earth System)



Add tail light wires
n battery earth.
6 snap connectors.

Loom 1292. 1968 A Group

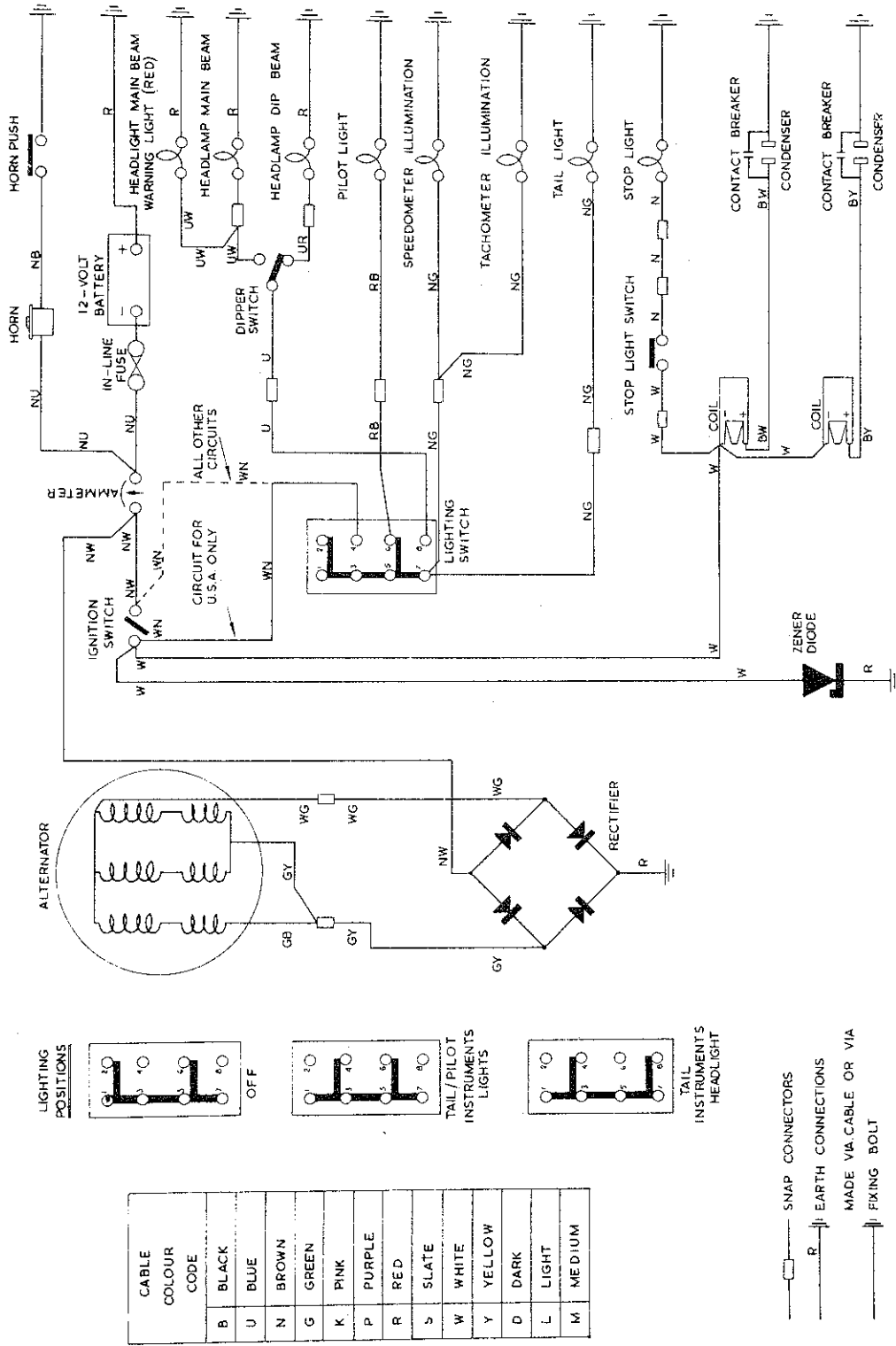


Fig. 6.5. Wiring diagram for 1968 models, excluding 'Firebird' Scrambler

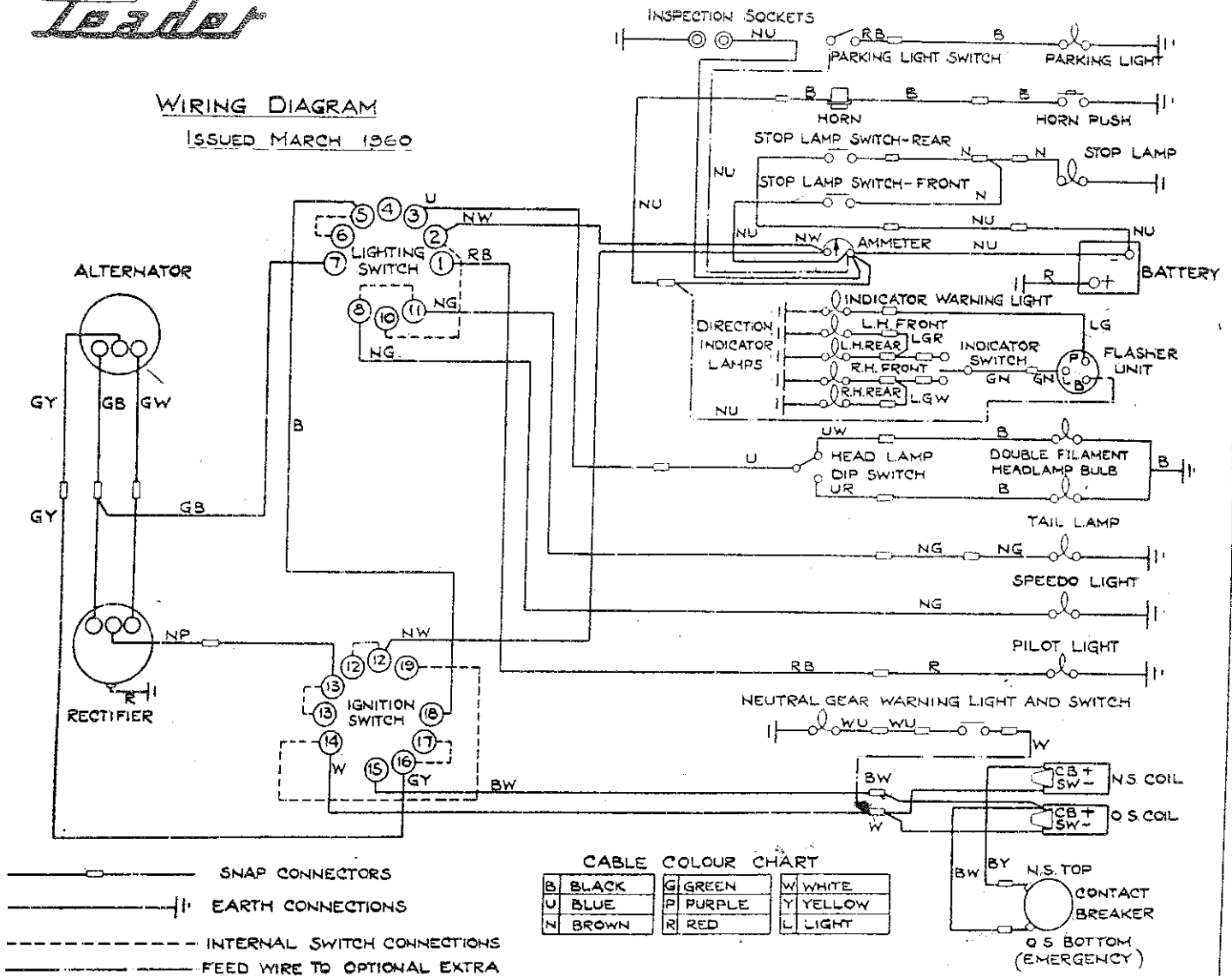
ELECTRICAL EQUIPMENT

—LEADER AND ARROW



WIRING DIAGRAM

ISSUED MARCH 1960



1453

DRAGANFLY MOTORCYCLES

The Old Town Maltings
Broad Street
BUNGAY NR35 1EE U.K
Tel: 01986 894798

DRAGANFLY MOTORCYCLES

THE OLD TOWN MALTINGS
BROAD STREET, BUNGAY
SUFFOLK NR35 1EE
U.K.

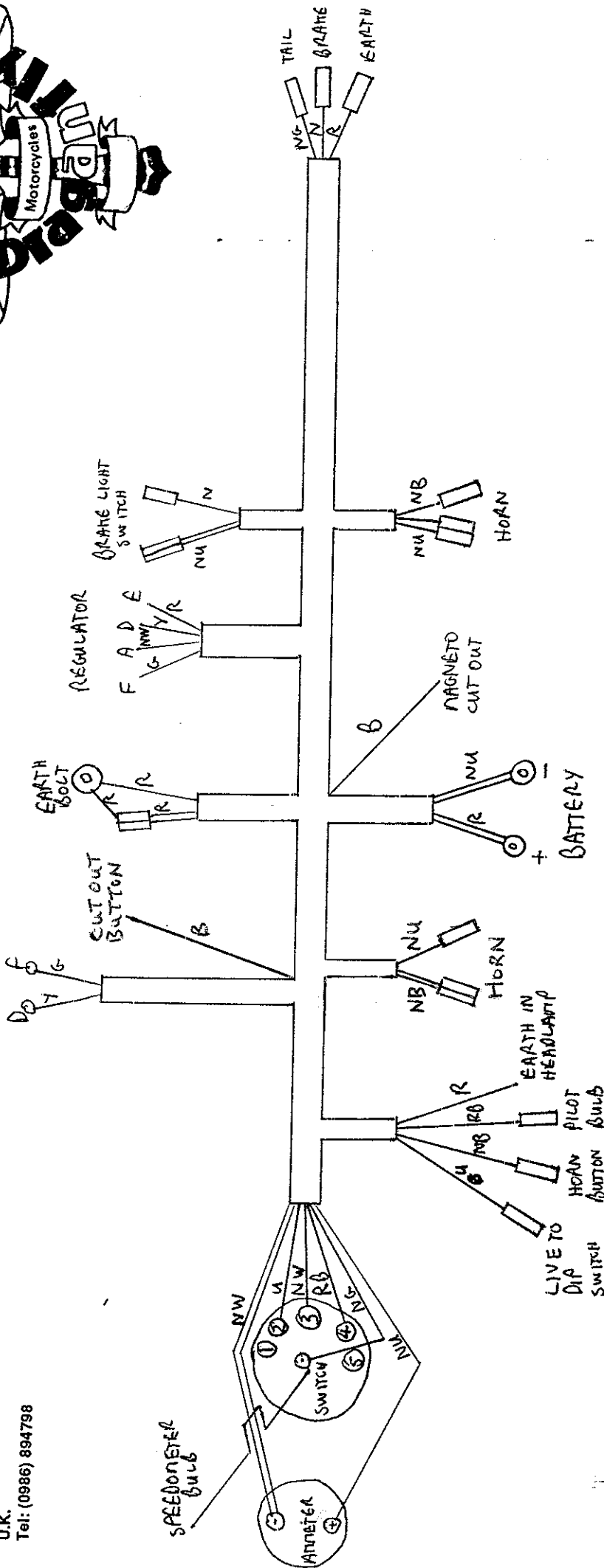
Tel: (0986) 894798

LOOM No. 1071

1951-58 KG/KH AND 1954-58 FH

AND BSA A SERIES 1948-62

DYNAO



BRAKE LIGHT SWITCH NOT FITTED BEFORE 1953.
PRE 1957 MODELS SNIP OFF EYELETS ON DYNAO WIRES
AND USE LOOSE 18818 TERMINALS SUPPLIED.
SEPARATE LOOMS REQUIRED FOR DIP SWITCH, BRAKE LIGHT
SWITCH, HEADLAMP AND HORN.
2 HORN POSITIONS ARE PROVIDED - THE CHOICE IS YOURS!
TAPE THE UNUSED WIRES TO THE MAIN HARNESS.
CUT SPEEDO BULB WIRE TO LENGTH.

W	WHITE
B	BLACK
G	GREEN
N	BROWN
R	RED
Y	YELLOW
U	BLUE

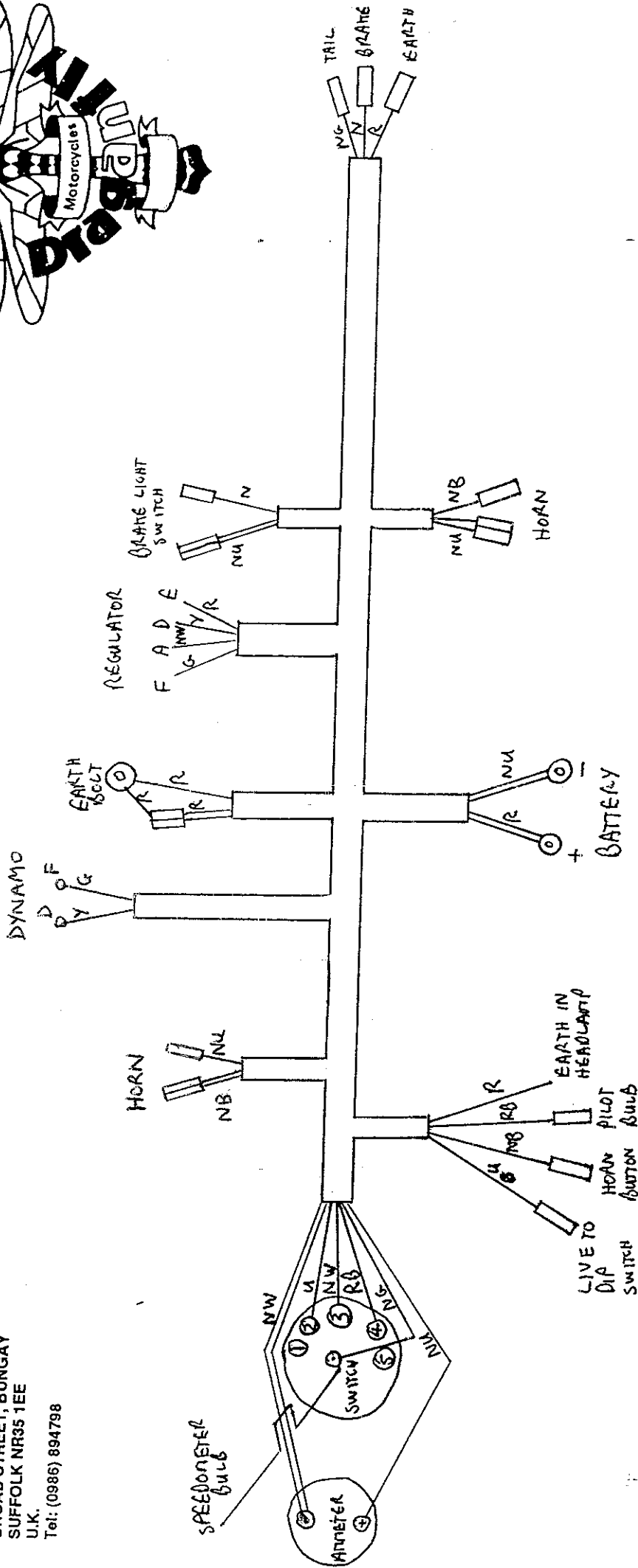
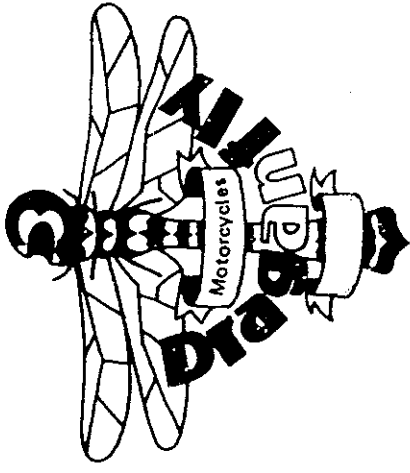
DRAGANFLY MOTORCYCLES

THE OLD TOWN MALTINGS
BROAD STREET, BUNGAY
SUFFOLK NR35 1EE
U.K.

Tel: (0986) 894798

LOOM NO 1301

1951-58 ARIEL SINGLES AND 1940-45 W/NG
AND BSA B SERIES 1946-58 AND M SERIES 1946-63



BRAKE LIGHT SWITCH NOT FITTED BEFORE 1953.
 ARE 1957 MODELS SNIP OFF EYELETS ON DYNAMO WIRES
 AND USE LOOSE 188818 TERMINALS SUPPLIED.
 SEPARATE LOOMS REQUIRED FOR DIP SWITCH, BRAKE LIGHT
 SWITCH, HEADLAMP AND HORN.
 2 HORN POSITIONS ARE PROVIDED - THE CHOICE IS
 YOURS! TAPE THE UNUSED WIRES TO THE MAIN HARNESS
 CUT SPEEDO BULB WIRE TO LENGTH

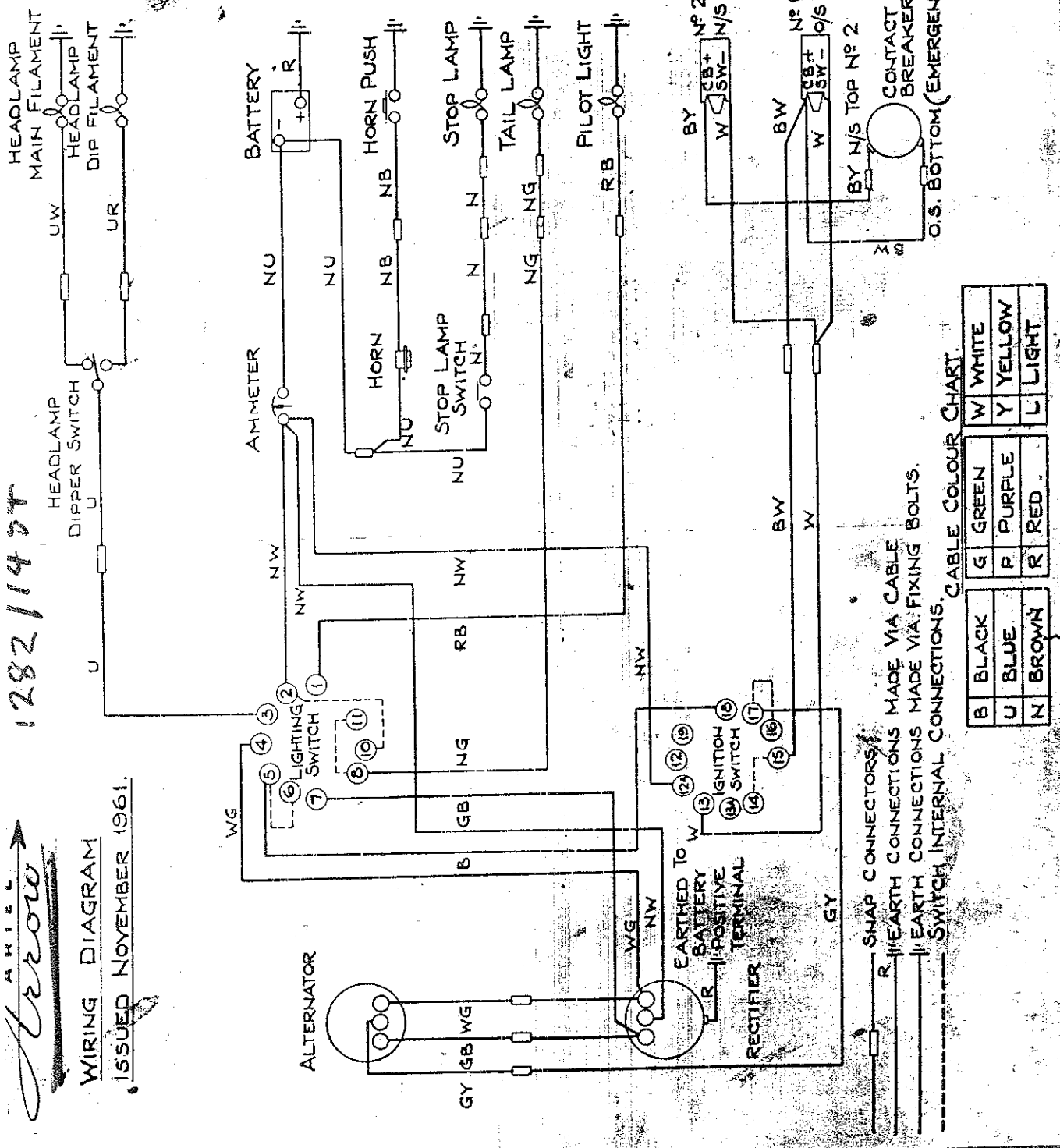
W	WHITE
B	BLACK
G	GREEN
N	BROWN
R	RED
Y	YELLOW
U	BLUE

ARIEL
Arrow

1282/114 ST

WIRING DIAGRAM

ISSUED NOVEMBER 1961.



1282
Arrow '61-'65

DRAGANFLY MOTORCYCLE
The Old Town Millings
Broad Street
BUNGAY NR36 1EE UK
Tel: 01965 894798

Printed in England by G. BALDWIN, LTD., North Farm Road, Tunbridge Wells, Kent. 1505/10165—2,000 copies

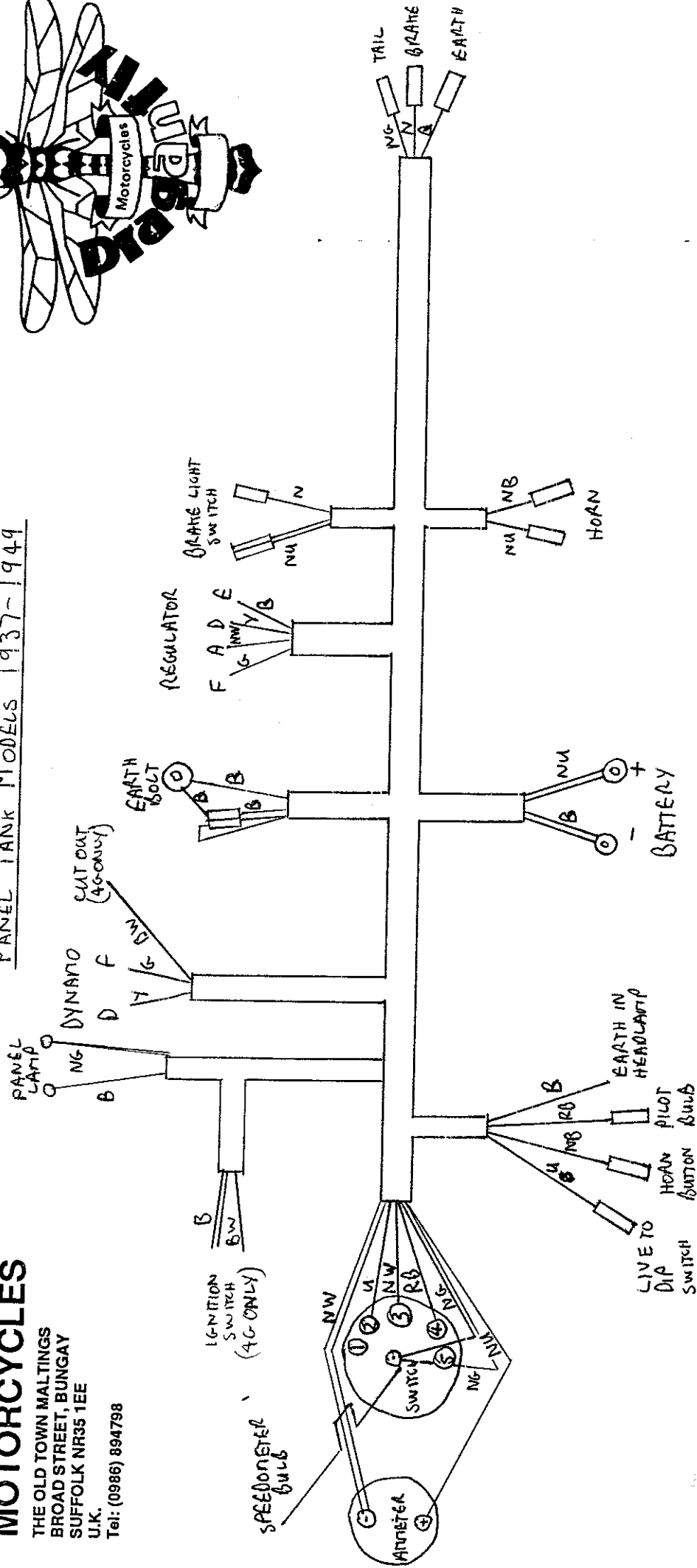
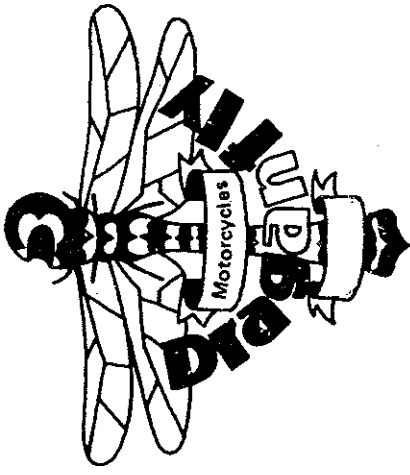
DRAGANFLY MOTORCYCLES

THE OLD TOWN MALTINGS
BROAD STREET, BUNGAY
SUFFOLK NR35 1EE
U.K.

Tel: (0986) 894798

LOOM No. 1058

PANEL TANK MODELS 1937-1949



BRAKE LIGHT SWITCH NOT FITTED BEFORE 1953.

SEPERATE LOOMS REQUIRED FOR DIP SWITCH, BRAKE LIGHT SWITCH, HEADLAMP AND HORN.

CAN BE USED ON 1948-49 K/G/H BY EXTENDING DYNAMO WIRES

COLOURS OF WIRES MAY VARY SLIGHTLY

W	WHITE
B	BLACK
G	GREEN
N	BROWN
R	RED
Y	YELLOW
U	BLUE

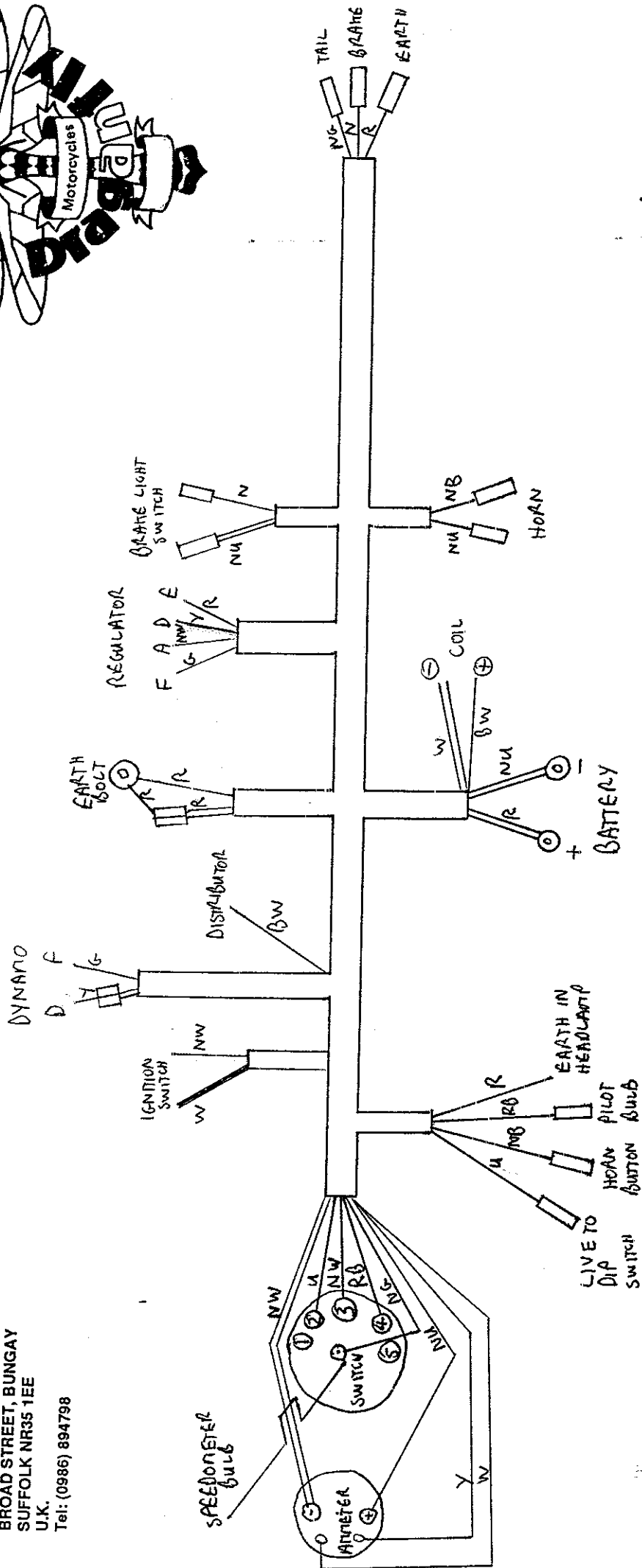
DRAGANFLY MOTORCYCLES

THE OLD TOWN MALTINGS
BROAD STREET, BUNGAY
SUFFOLK NR35 1EE
U.K.

Tel: (0986) 894798

LOOM No 1032

1951-58 SQUARE FOUR



BRAKE LIGHT SWITCH NOT FITTED BEFORE 1953.

SEPERATE LOOPS REQUIRED FOR DIP SWITCH, BRAKE LIGHT SWITCH, HEADLAMP AND HORN.
SNIP OFF CHARGING LIGHT WIRES IF NOT REQUIRED

W	WHITE
B	BLACK
G	GREEN
N	BROWN
R	RED
Y	YELLOW
U	BLUE

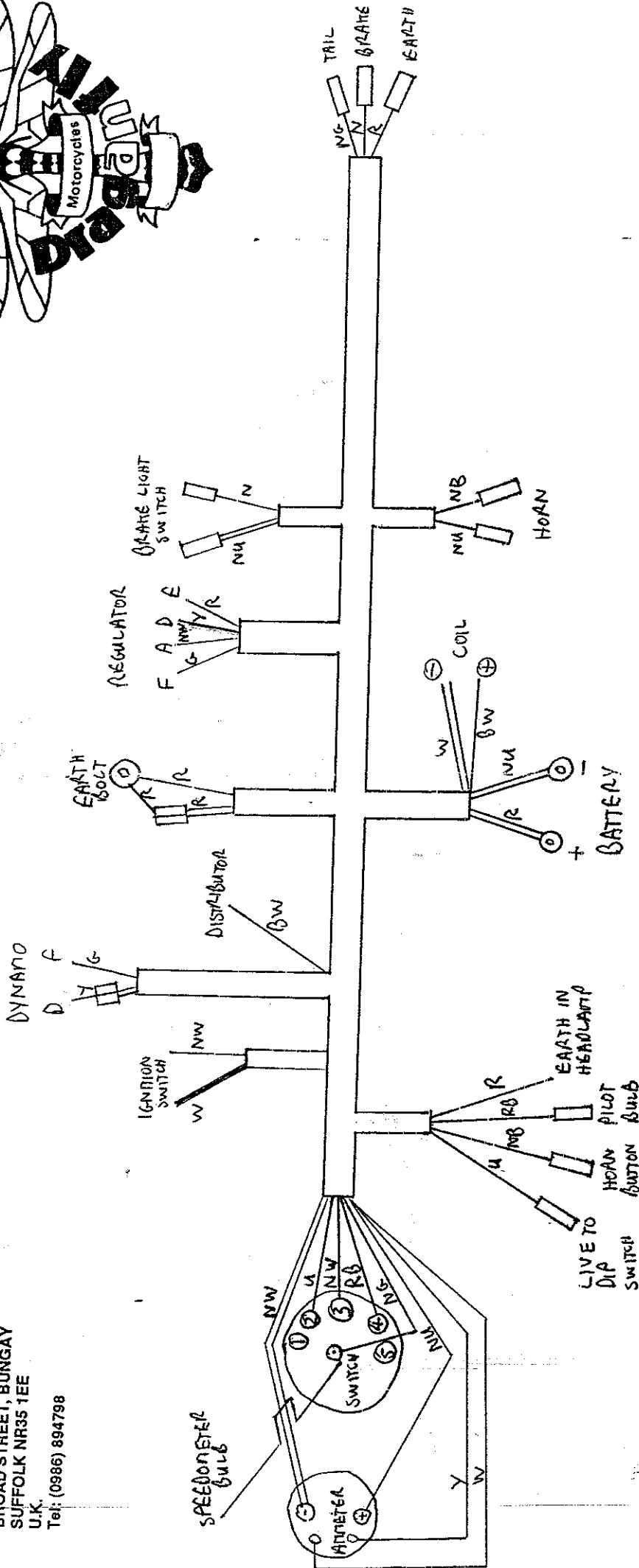
DRAGANFLY MOTORCYCLES

THE OLD TOWN MALTINGS
BROAD STREET, BUNGAY
SUFFOLK NR35 1EE
U.K.

Tel: (0986) 894798

LOON No 1032

1951-58 SQUARE FOUR



BRAKE LIGHT SWITCH NOT FITTED BEFORE 1953

SEPERATE LOOPS REQUIRED FOR DIP SWITCH, BRAKE LIGHT SWITCH, HEADLAMP AND HORN.

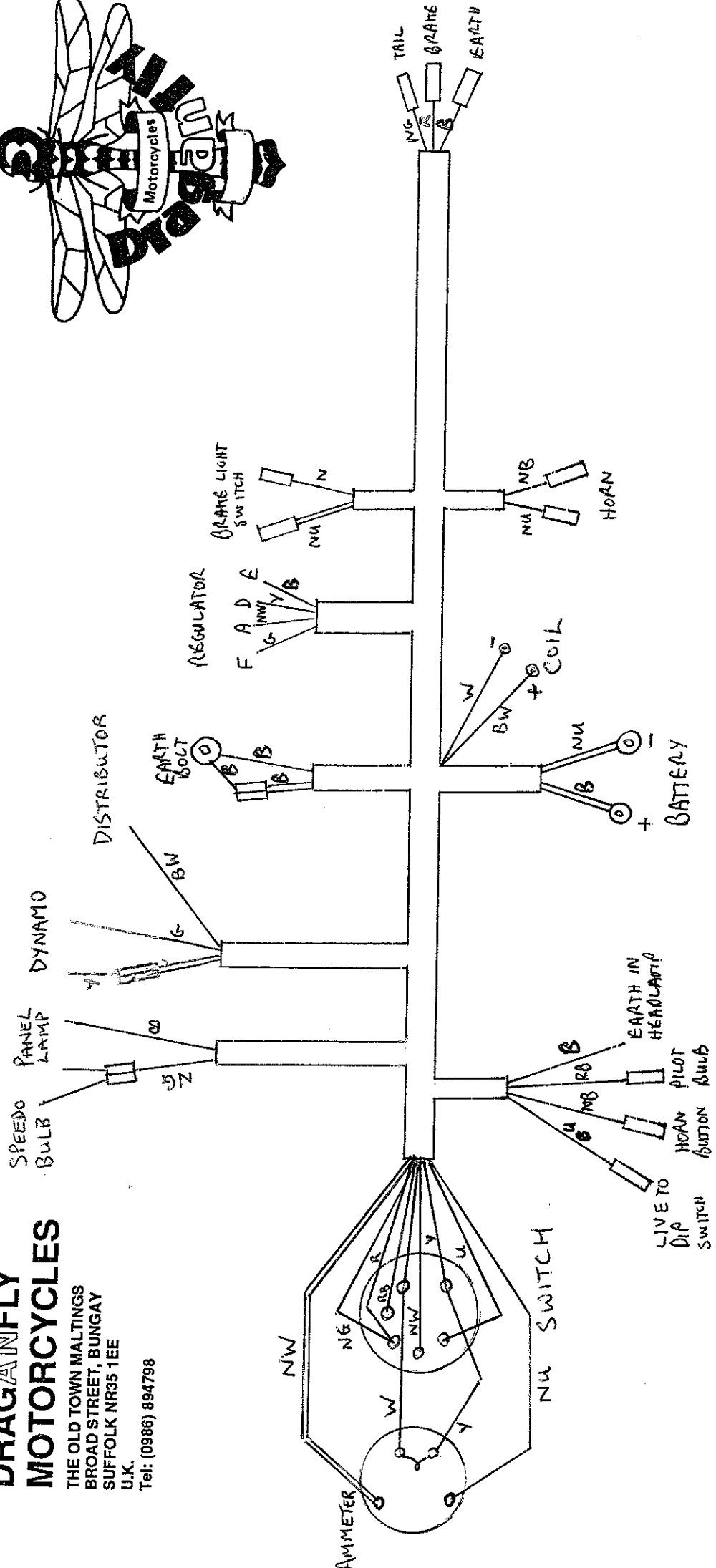
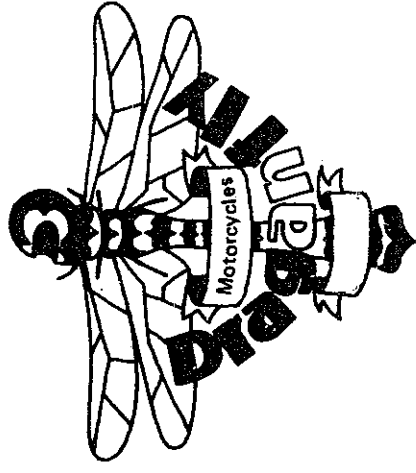
SNIP OFF CHARGING LIGHT WIRES IF NOT REQUIRED

W	WHITE
B	BLACK
G	GREEN
N	BROWN
R	RED
Y	YELLOW
U	BLUE

DRAGANFLY MOTORCYCLES

THE OLD TOWN MALTINGS
 BROAD STREET, BUNGAY
 SUFFOLK NR35 1EE
 U.K.
 Tel: (0986) 894798

LOOM NO 1624 1949 SQ4 ONLY



BRAKE LIGHT SWITCH NOT FITTED BEFORE 1953.

SEPERATE COOTS REQUIRED FOR DIP SWITCH, BRAKE LIGHT SWITCH, HEAD-LAMP AND HORN.

AMMETER

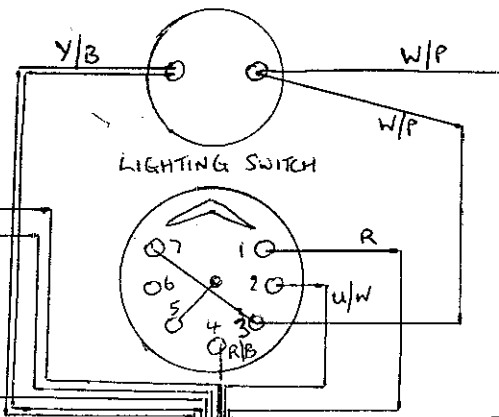
DRAGANFLY MOTORCYCLES

THE OLD TOWN MALTINGS
BROAD STREET, BUNGAY
SUFFOLK NR35 1EE
U.K.
Tel: (0986) 894798

MAIN BULB



PILOT BULB



HORN BUTTON

y/p

HORN

y/p
y/B

DIP SWITCH

u
u
u/w

DYNAMO

Y

G

+

BATTERY

y/B

REGULATOR BOX

B
W/P
Y
G
B

BRAKE LIGHT SWITCH

N
y/B



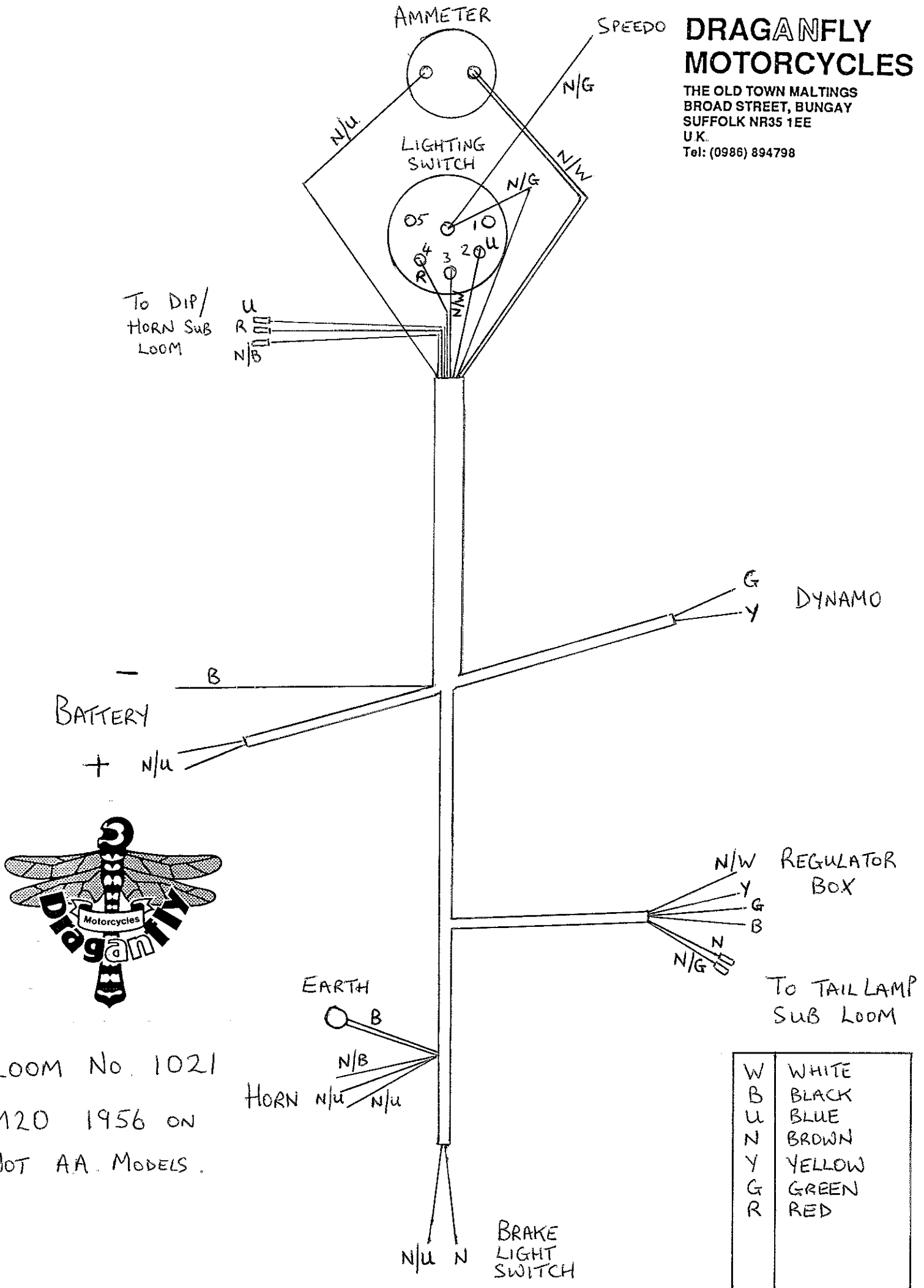
LOOM No. 1450 M20
WD Models - 4 pos~~s~~ switch
1940-45

W	WHITE
B	BLACK
U	BLUE
N	BROWN
P	PURPLE
Y	YELLOW
R	RED
G	GREEN

N R
TAIL LAMP

DRAGANFLY MOTORCYCLES

THE OLD TOWN MALTINGS
BROAD STREET, BUNGAY
SUFFOLK NR35 1EE
U.K.
Tel: (0986) 894798



LOOM No. 1021

M20 1956 ON

NOT AA MODELS.



DRAGANFLY MOTORCYCLES

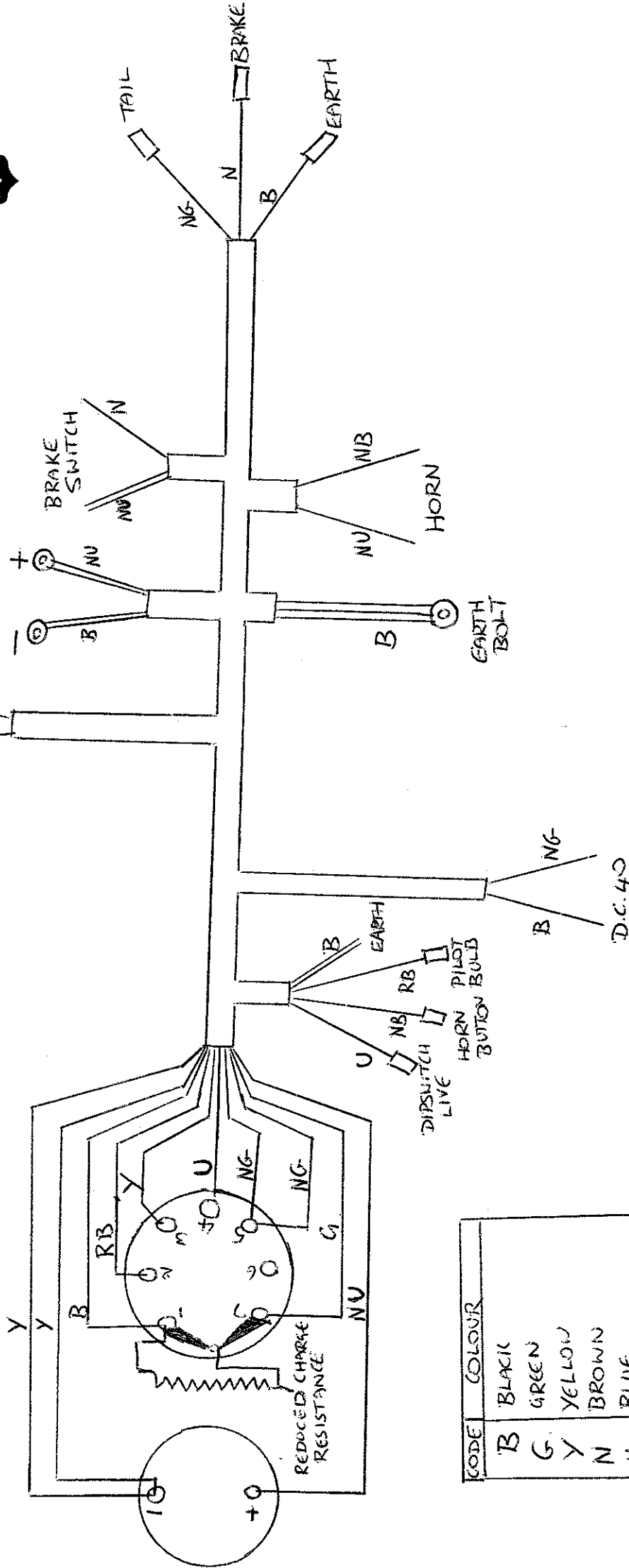
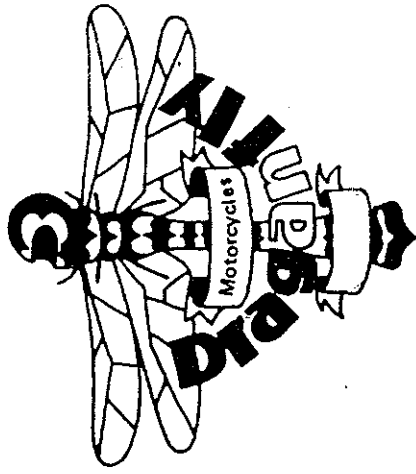
THE OLD TOWN MALTINGS
BROAD STREET, BUNGAY
SUFFOLK NR35 1EE
U.K.

Tel: (0986) 894798
Fax: (0986) 894798

ARIEL SPARE PARTS

LOOM N^o 1340

1933-36 3 BRUSH DYNAMO



CODE	COLOUR
B	BLACK
G	GREEN
Y	YELLOW
N	BROWN
U	BLUE
RB	RED/BLACK
NB	BROWN/BLACK
NG-	BROWN GREEN
NU	BROWN BLUE

BRAKE LIGHT SWITCH NOT FITTED BEFORE 1953
SEPERATE LOOMS REQUIRED FOR DIPSWITCH, BRAKE LIGHT
SWITCH, HEADLAMP AND HORN

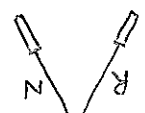
NEGATIVE EARTH

Loom No. 1423 M20 & B series 1937-55 NOT WD

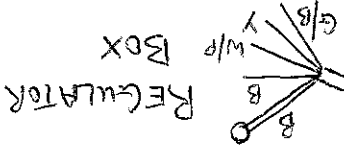
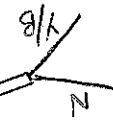
W	WHITE
B	BLACK
U	BLUE
N	BROWN
P	PURPLE
Y	YELLOW
R	RED
G	GREEN



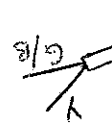
TAIL LAMP



BRAKE LIGHT SWITCH



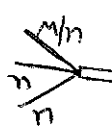
DYNAMO



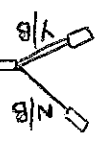
BATTERY + -



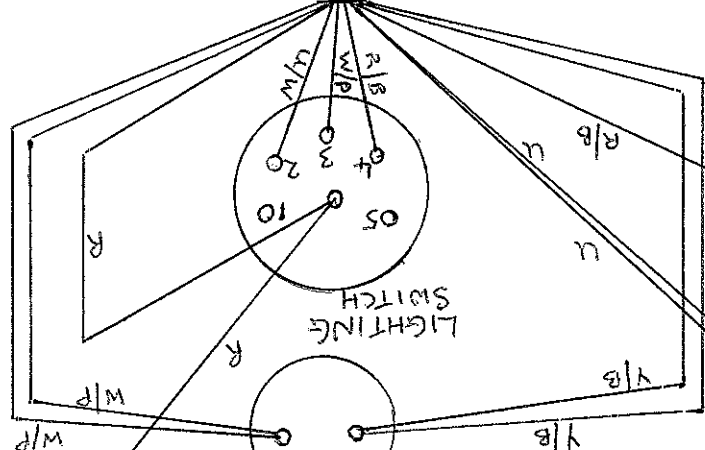
DIP SWITCH



HORN



HORN BUTTON



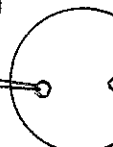
PILOT BULB



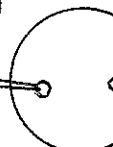
MAIN BULB



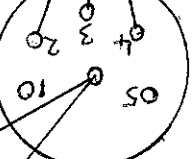
SPEEDO



AMMETER



LIGHTING SWITCH



DRAGANFLY MOTORCYCLES
 THE OLD TOWN MALTINGS
 BROAD STREET, BUNGAY
 SUFFOLK NR35 1EE
 U.K.
 Tel: (0986) 894798

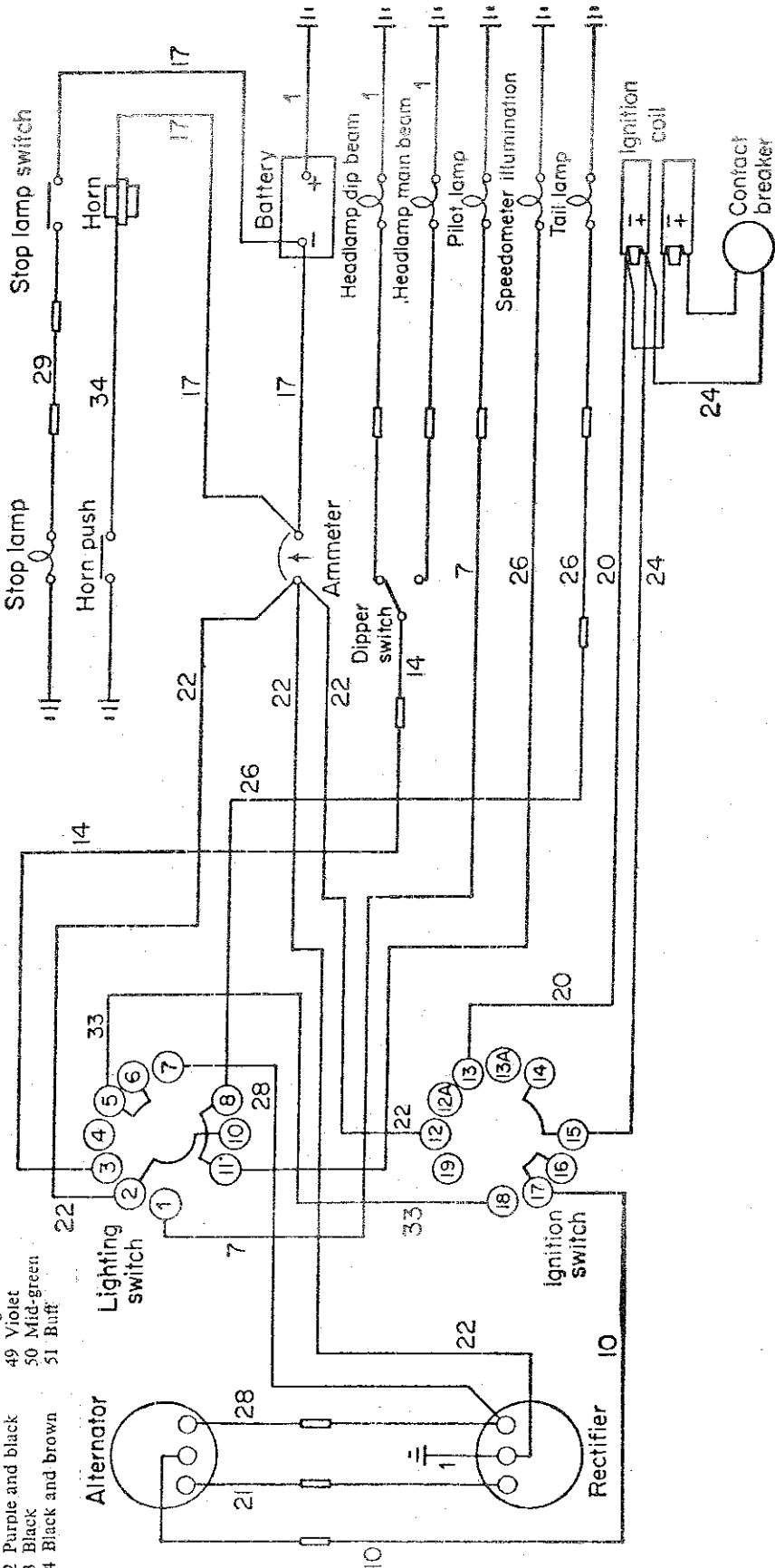
DRAGANELLY MOTORCYCLES

The Old Town Mailings
 Broad Street
 BUNGAY NR136 1EE U.K.
 Tel: 01986 594700

A50/A65 1962-66 6VOLT MODELS

KEY TO CABLE COLOURS

- | | | |
|----------------------|---------------------|--------------------------|
| 1 Red | 18 Blue and purple | 35 Grey |
| 2 Red and yellow | 19 Blue and black | 36 Orange |
| 3 Red and blue | 20 White | 37 Pink |
| 4 Red and white | 21 White and green | 38 Buff |
| 5 Red and green | 22 White and brown | 39 Light green |
| 6 Red and brown | 23 White and purple | 40 Light green and white |
| 7 Red and black | 24 White and black | 41 Light green and red |
| 8 Yellow | 25 Green | 42 Maroon |
| 9 Yellow and blue | 26 Green and brown | 43 Translucent |
| 10 Yellow and green | 27 Green and purple | 44 Dark green |
| 11 Yellow and brown | 28 Green and black | 45 Dark red |
| 12 Yellow and purple | 29 Brown | 46 Light red |
| 13 Yellow and black | 30 Brown and purple | 47 Dark blue |
| 14 Blue | 31 Purple | 48 Light blue |
| 15 Blue and white | 32 Purple and black | 49 Violet |
| 16 Blue and green | 33 Black | 50 Mid-green |
| 17 Blue and brown | 34 Black and brown | 51 Buff |



1032A

DRAGANFLY MOTORCYCLING

The Old Town Makings

Broad Street

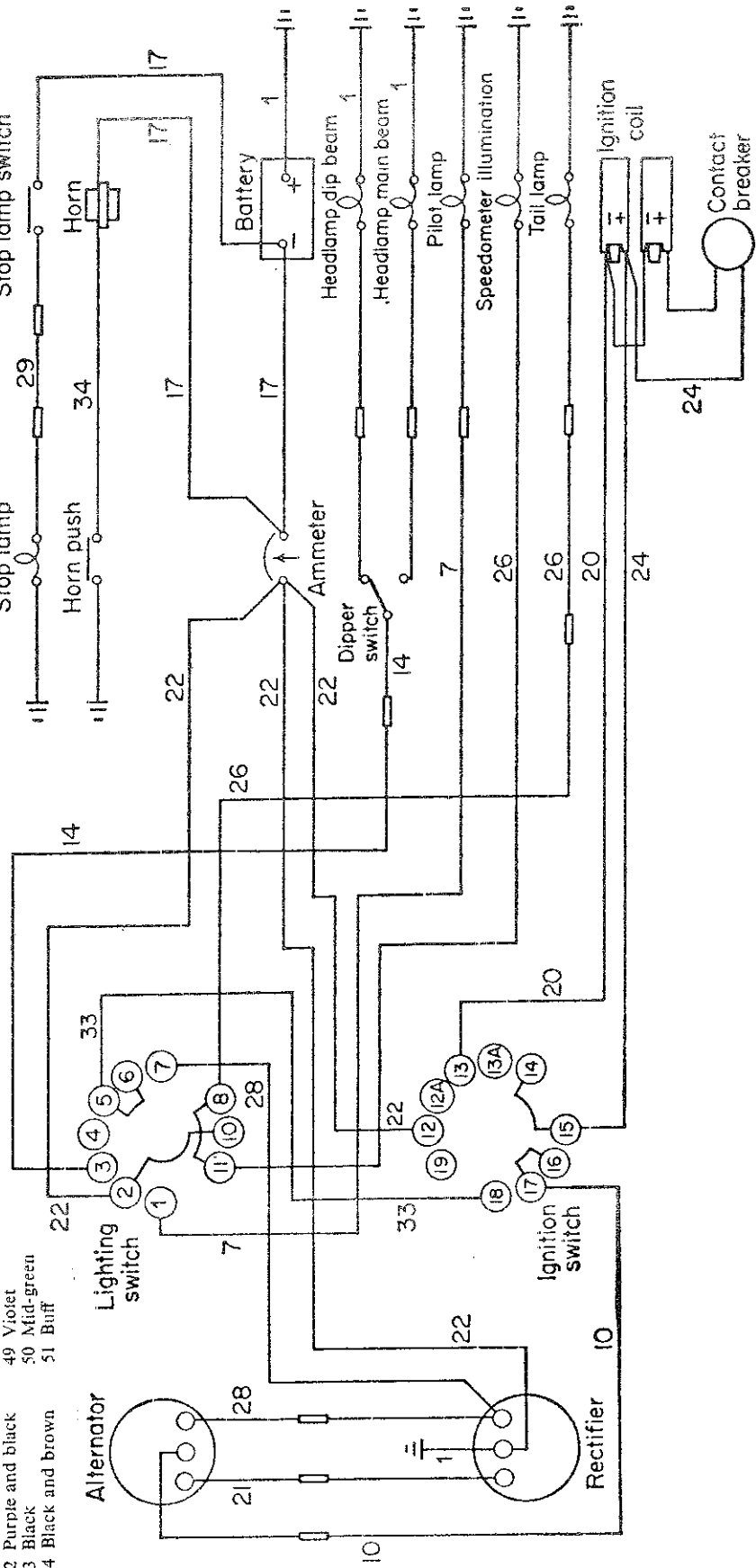
BUNGAY NR136 1EE UK

Tel: 01986 894788

A501A65 1962-66 6VOLT MODELS

KEY TO CABLE COLOURS

- | | |
|----|-----------------------|
| 1 | Red |
| 2 | Red and yellow |
| 3 | Red and blue |
| 4 | Red and white |
| 5 | Red and green |
| 6 | Red and brown |
| 7 | Red and black |
| 8 | Yellow |
| 9 | Yellow and blue |
| 10 | Yellow and green |
| 11 | Yellow and brown |
| 12 | Yellow and purple |
| 13 | Yellow and black |
| 14 | Blue |
| 15 | Blue and white |
| 16 | Blue and green |
| 17 | Blue and brown |
| 18 | Blue and purple |
| 19 | Blue and black |
| 20 | White |
| 21 | White and green |
| 22 | White and brown |
| 23 | White and purple |
| 24 | White and black |
| 25 | Green |
| 26 | Green and blue |
| 27 | Green and purple |
| 28 | Green and black |
| 29 | Brown |
| 30 | Brown and purple |
| 31 | Purple |
| 32 | Purple and black |
| 33 | Black |
| 34 | Black and brown |
| 35 | Grey |
| 36 | Orange |
| 37 | Pink |
| 38 | Buff |
| 39 | Light green |
| 40 | Light green and white |
| 41 | Light green and red |
| 42 | Maroon |
| 43 | Translucent |
| 44 | Dark green |
| 45 | Dark red |
| 46 | Light red |
| 47 | Dark blue |
| 48 | Light blue |
| 49 | Violet |
| 50 | Mid-green |
| 51 | Buff |



1032A

ARIEL MOTOR CYCLES

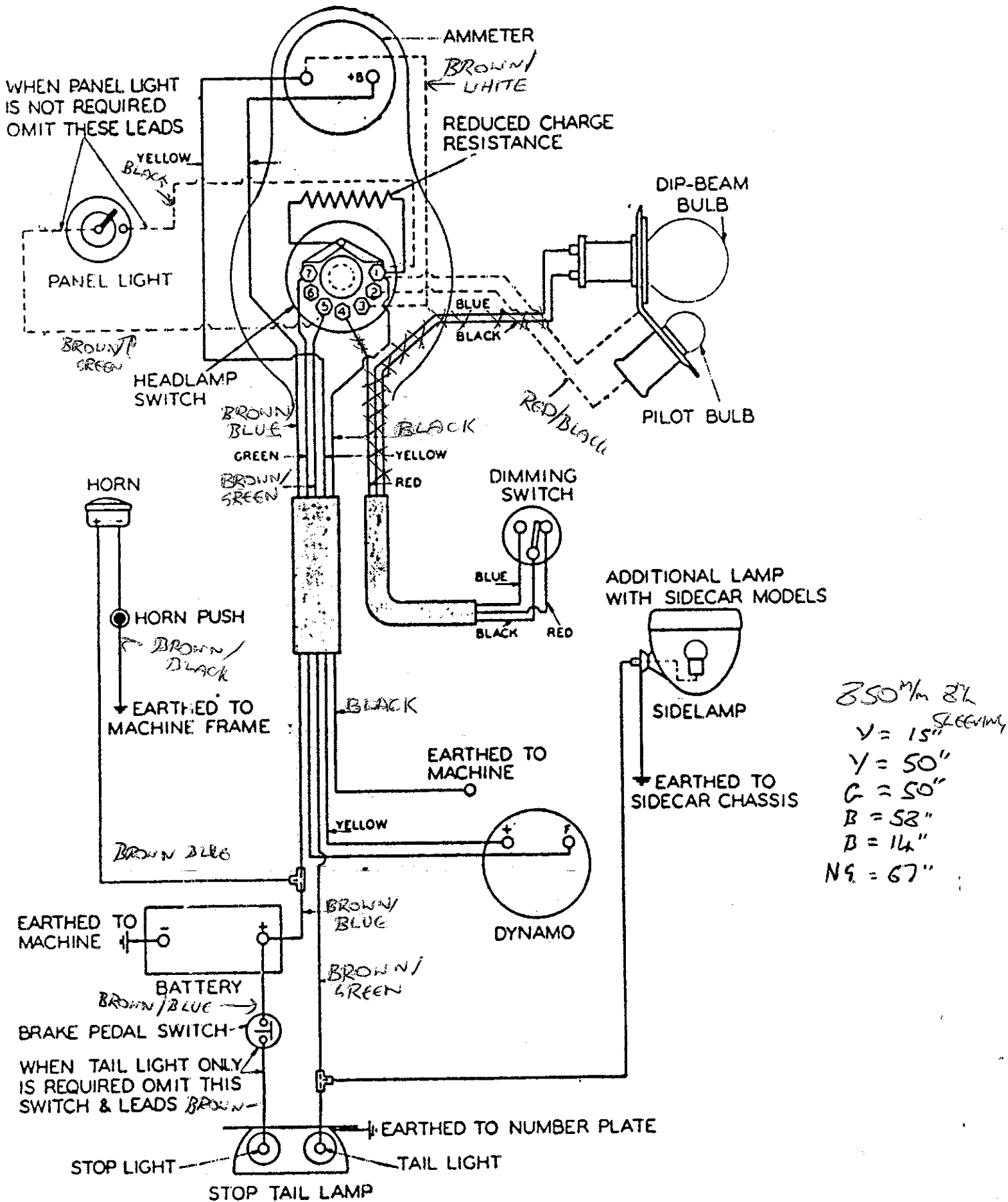


FIG. 35.—WIRING DIAGRAM FOR LUCAS MAGDYNO LIGHTING EQUIPMENT AS FITTED TO ARIEL MOTOR CYCLES, 1933-1936.

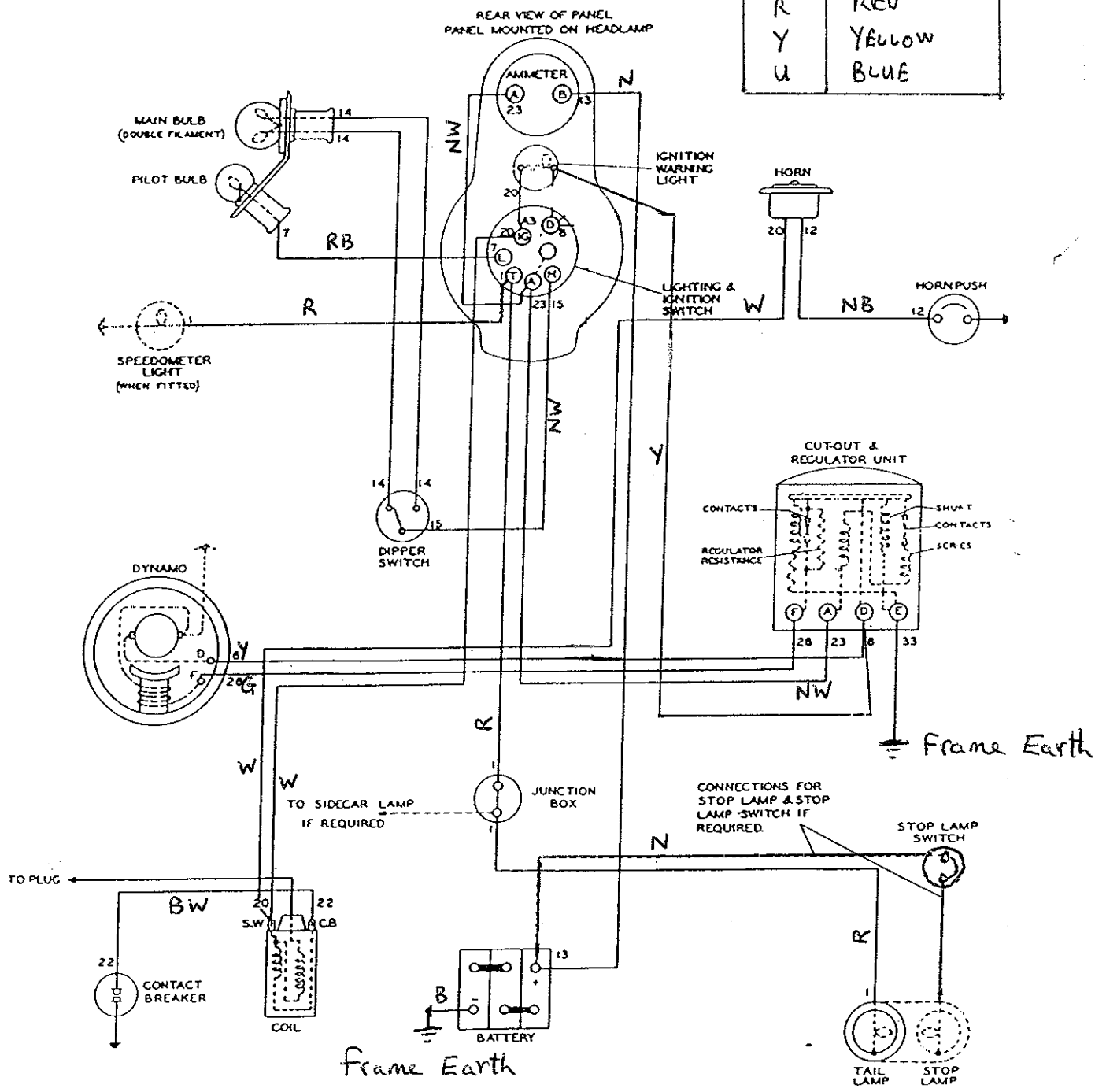
DRAGANFLY MOTORCYCLES

The Old Town Matings
 Brook Street
 BUNGAY, R35 1EE U.K
 Tel: 01986 894798
 e-mail: spares@draganfly.co.uk

1446

C10 and C11 Models WIRING DIAGRAM (NEGATIVE EARTH)

W	WHITE
B	BLACK
G	GREEN
N	BROWN
R	RED
Y	YELLOW
U	BLUE



Numbers indicate cable identification colours. See key.

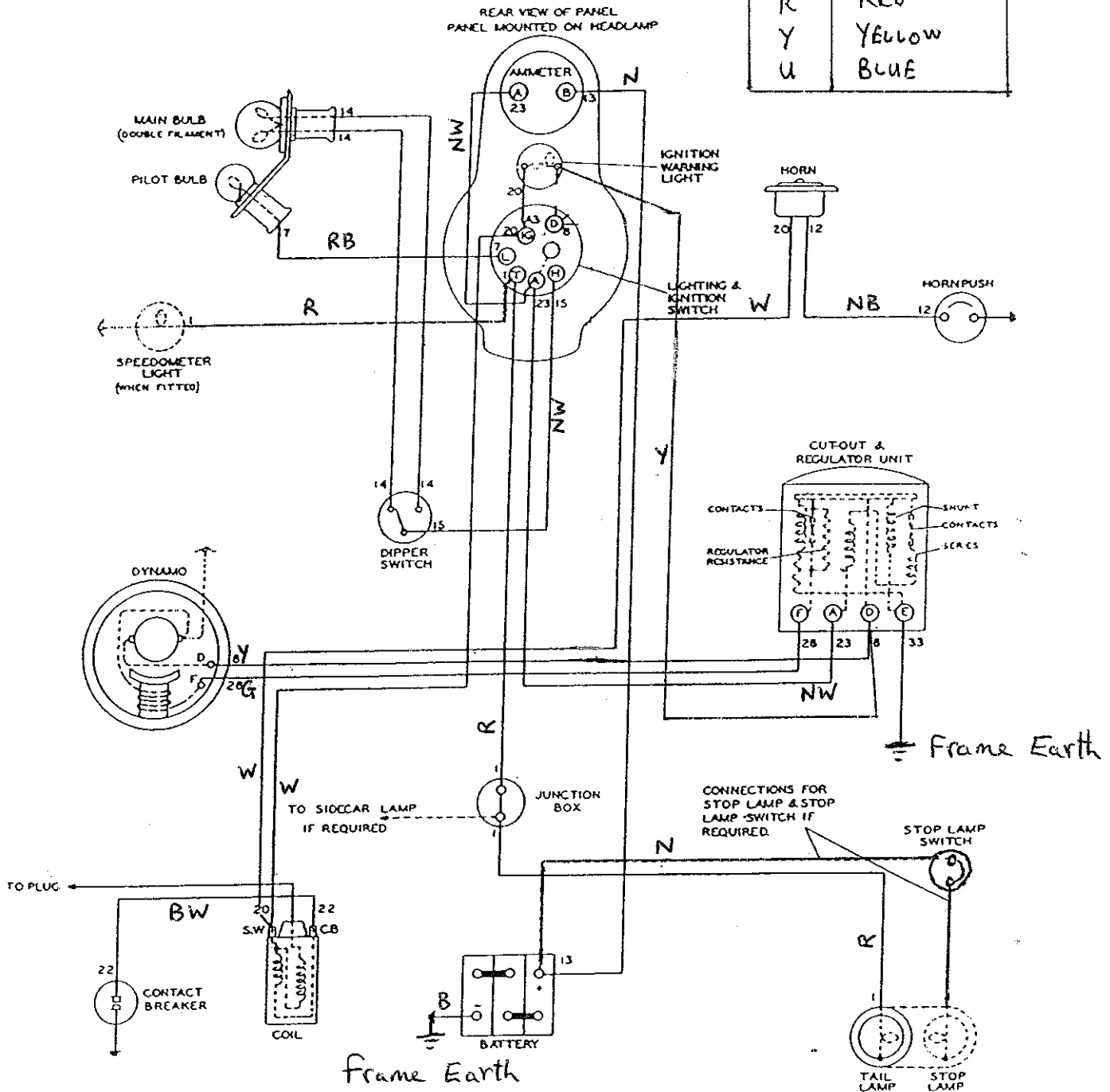
DRAGANFLY MOTORCYCLES

The Old Town Matings
 Broad Street
 BUNGAY NR35 1EE U.K
 Tel: 01986 894798
 e-mail: sparen@draganfly.co.uk

1446

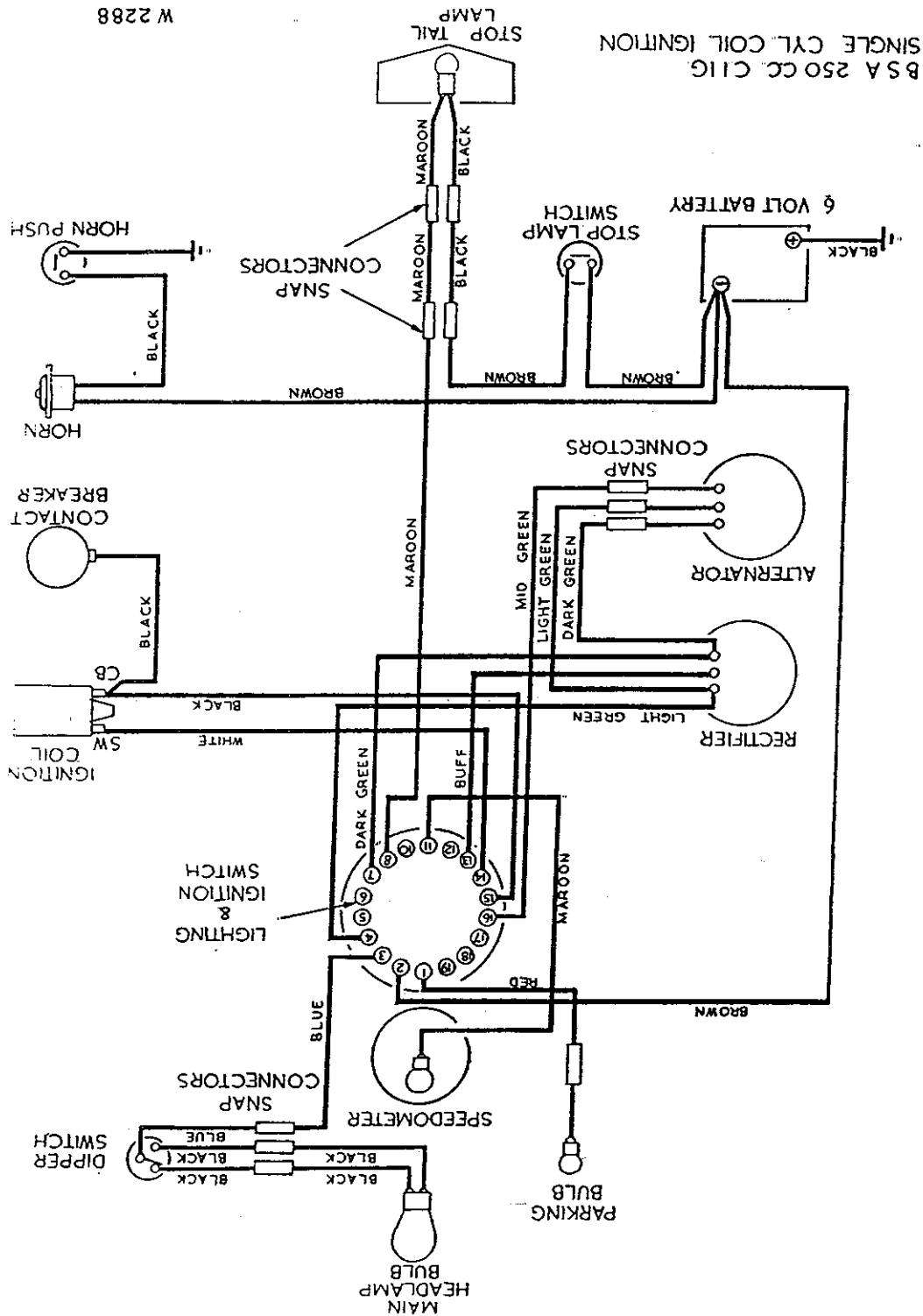
C10 and C11 Models WIRING DIAGRAM (NEGATIVE EARTH)

W	WHITE
B	BLACK
G	GREEN
N	BROWN
R	RED
Y	YELLOW
U	BLUE



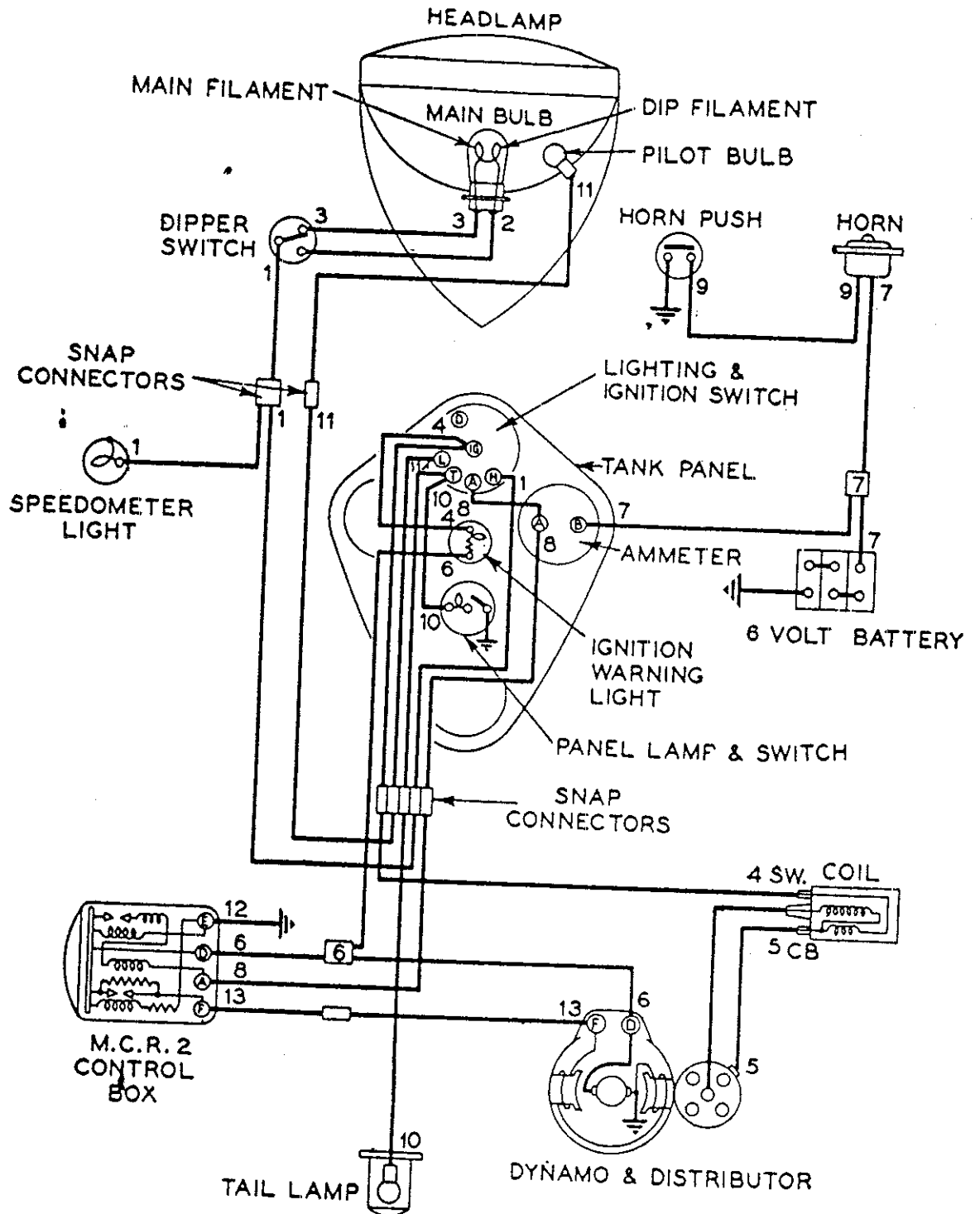
Numbers indicate cable identification colours. See key.

W 2288



Model C11G
(Lucas Lighting)

1447

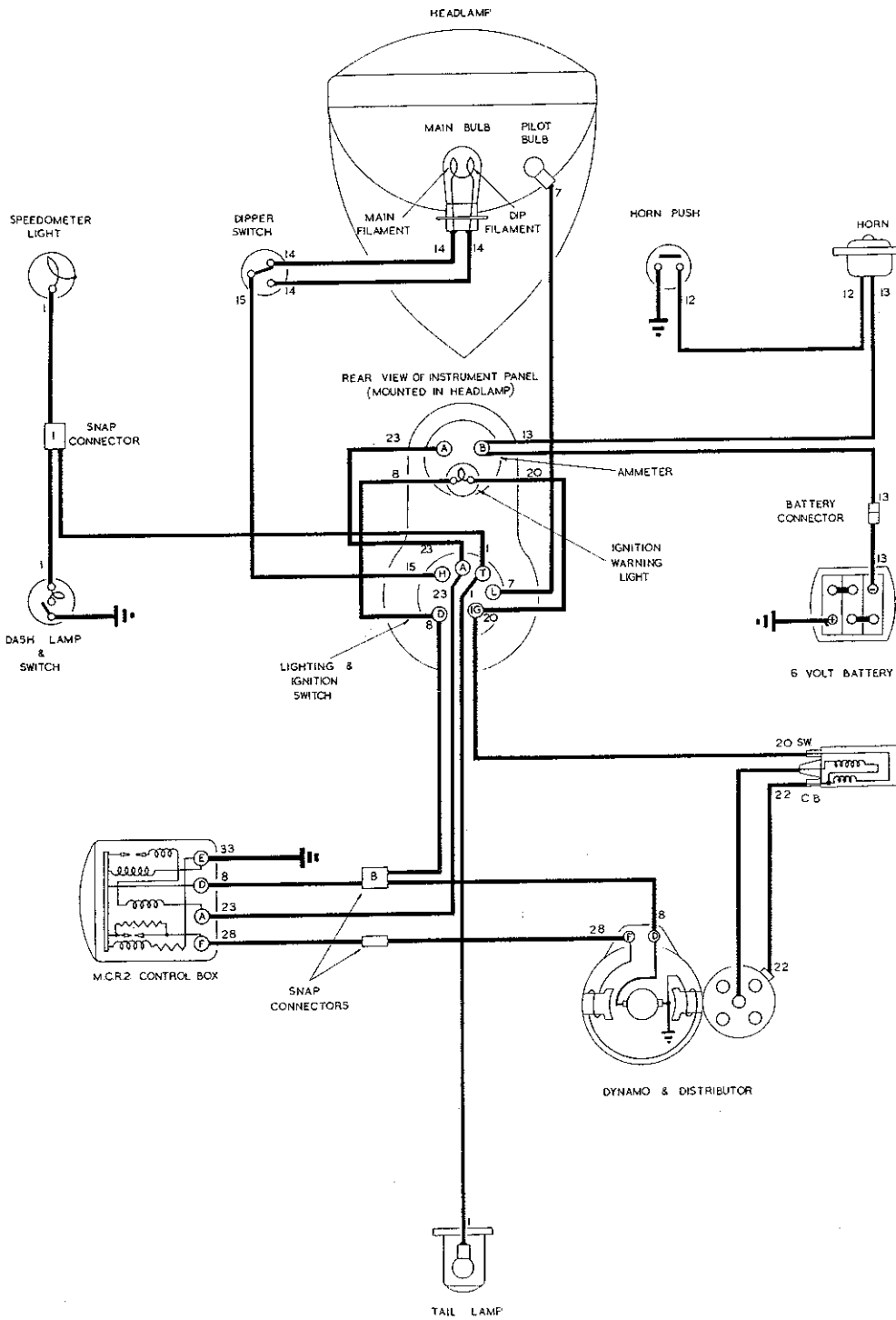


- KEY TO CABLE COLOURS**
- | | | |
|--------------------|--------------------|---------------------|
| 1 BLUE | 6 YELLOW | 11 RED WITH BLACK |
| 2 BLUE WITH RED | 7 BROWN | 12 BLACK |
| 3 BLUE WITH WHITE | 8 BROWN WITH WHITE | 13 BLACK WITH GREEN |
| 4 WHITE | 9 BROWN WITH BLACK | |
| 5 WHITE WITH BLACK | 10 RED | |

FIG. 75.—WIRING DIAGRAM ARIEL 1000-C.C. SQUARE FOUR, 1950 MODELS ONLY (COIL IGNITION).

LUCAS ELECTRICAL EQUIPMENT

ARIEL SQUARE FOUR MOTOR CYCLE
1000 c.c. COIL IGNITION



KEY TO CABLE COLOURS

1 RED	12 YELLOW & PURPLE	23 WHITE & PURPLE
2 RED & YELLOW	13 YELLOW & BLACK	24 WHITE & BLACK
3 RED & BLUE	14 BLUE	25 GREEN
4 RED & WHITE	15 BLUE & WHITE	26 GREEN & BROWN
5 RED & GREEN	16 BLUE & GREEN	27 GREEN & PURPLE
6 RED & BROWN	17 BLUE & BROWN	28 GREEN & BLACK
7 RED & BLACK	18 BLUE & PURPLE	29 BROWN
8 YELLOW	19 BLUE & BLACK	30 BROWN & PURPLE
9 YELLOW & BLUE	20 WHITE	31 PURPLE
10 YELLOW & GREEN	21 WHITE & GREEN	32 PURPLE & BLACK
11 YELLOW & BROWN	22 WHITE & BROWN	33 BLACK

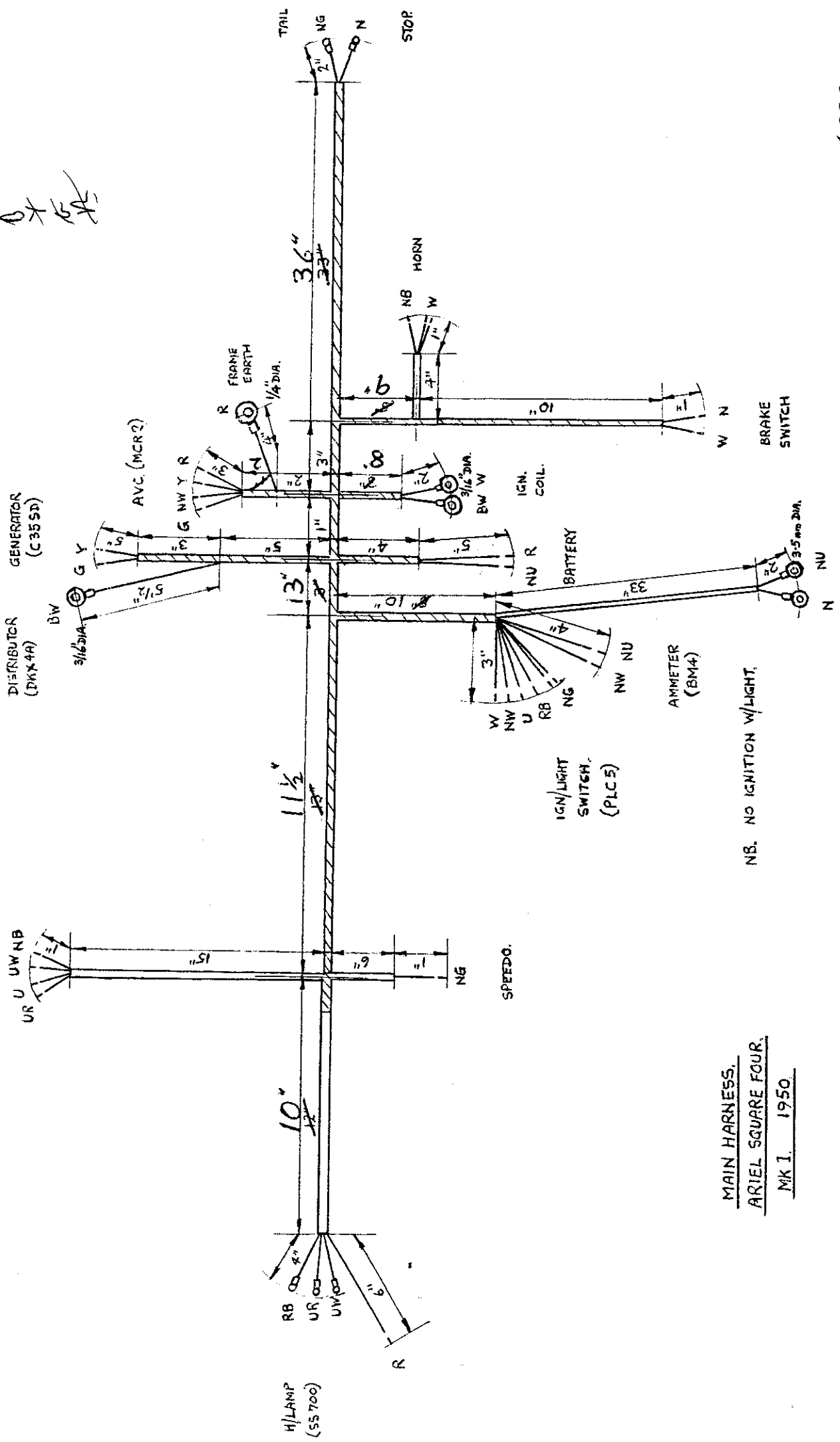
WIRING DIAGRAM

No. W94391

6-VOLT

Handwritten notes:
 4000
 4000

HORN PUSH/
 DIP SWITCH



MAIN HARNESS.
ARIEL SQUARE FOUR.
MK I. 1950.

NB. NO IGNITION W/LIGHT.

IGN/LIGHT
 SWITCH.
 (PLC5)

SPEEDO.

AMMETER
 (BM4)

BATTERY

IGN.
 COIL.

W N
 BRAKE
 SWITCH

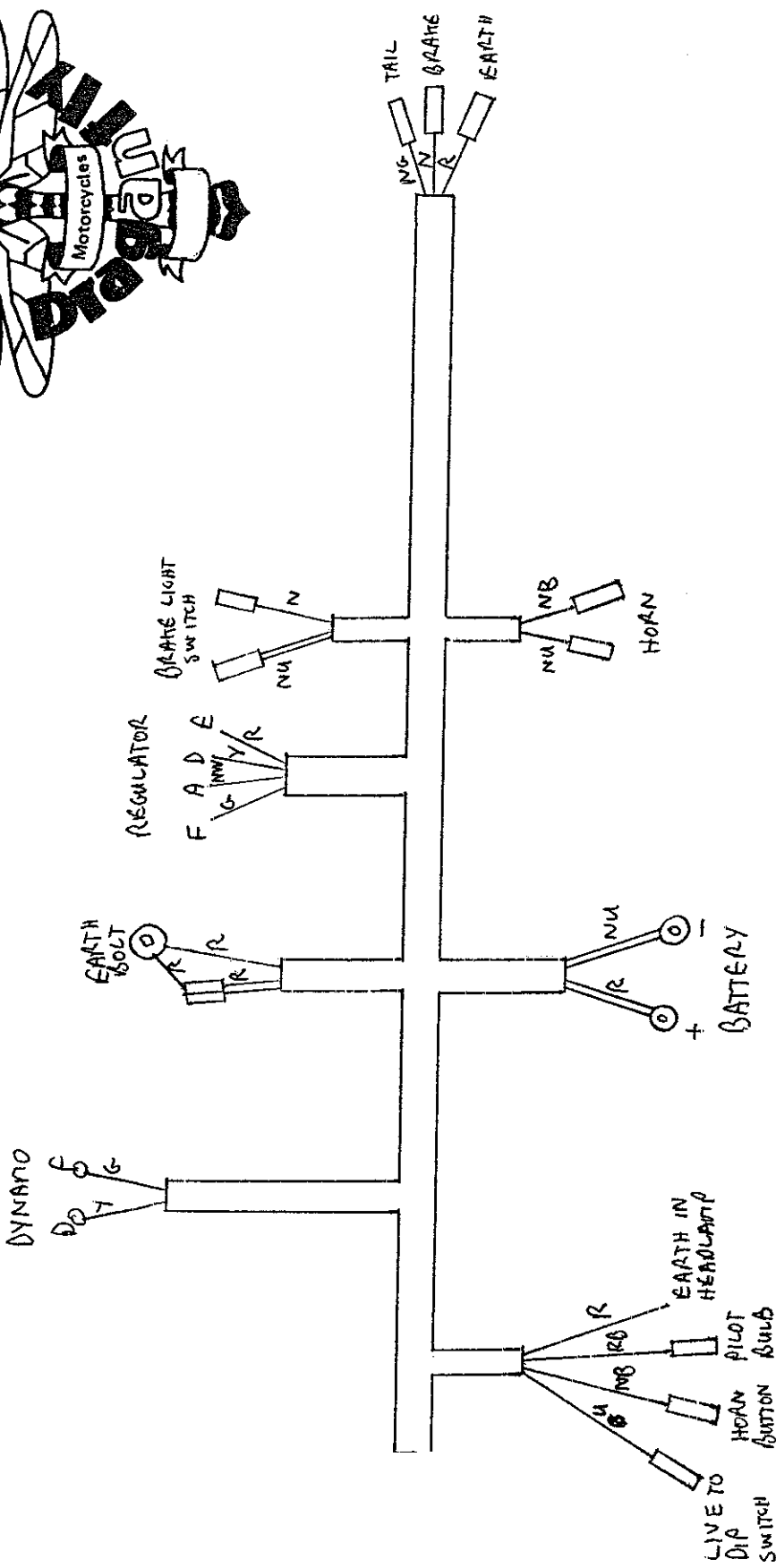
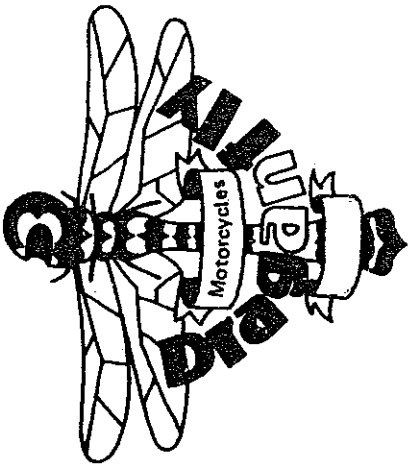
INSPECTION LAMP (DC40)

4000

DRAGANFLY MOTORCYCLES

THE OLD TOWN MALTINGS
BROAD STREET, BUNGAY
SUFFOLK NR35 1EE
U.K.

Tel: (0986) 894798



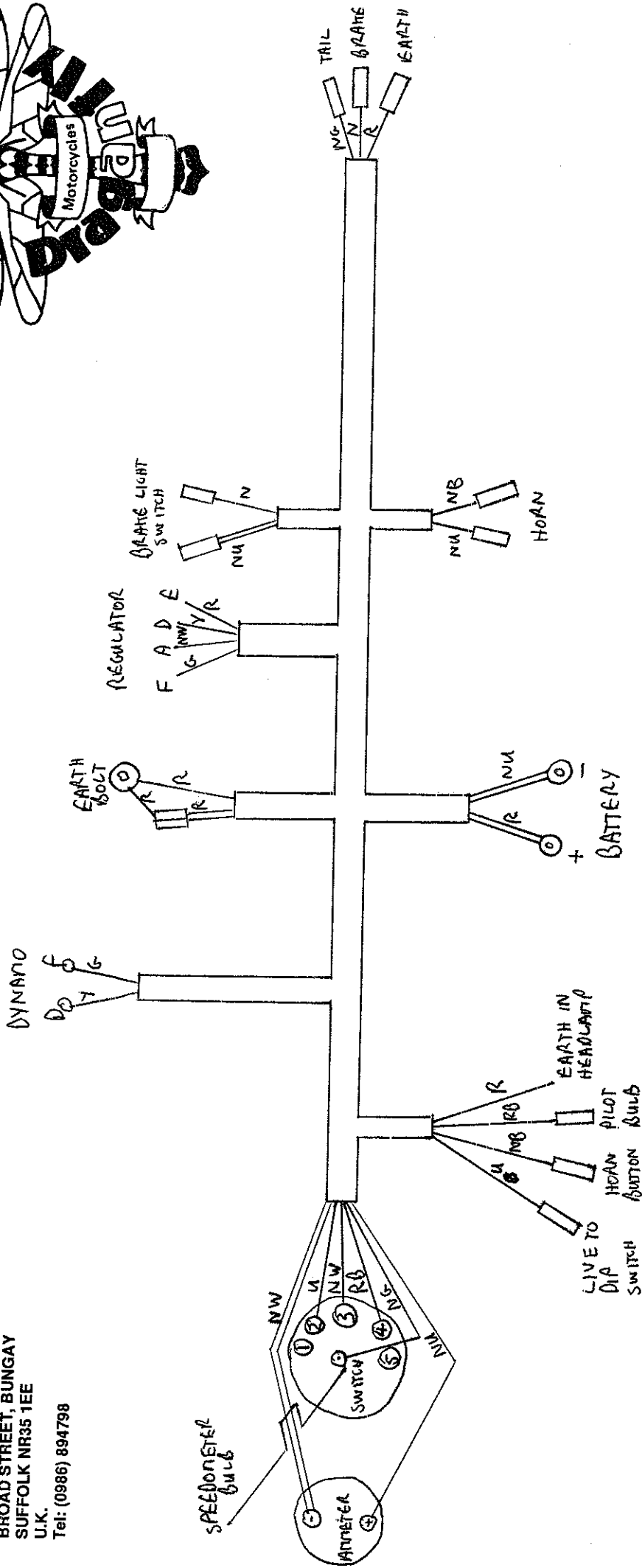
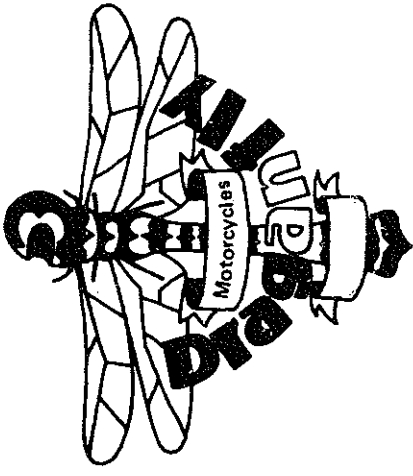
BRAKE LIGHT SWITCH NOT FITTED BEFORE 1953.
PRE 1957 MODELS SNIP OFF EYELETS ON DYNAMO WIRES
AND USE LOOSE 188818 TERMINALS SUPPLIED.
SEPERATE COILS REQUIRED FOR DIP SWITCH, BRAKE LIGHT
SWITCH, HEADLAMP AND HORN.

W	WHITE
B	BLACK
G	GREEN
N	BROWN
R	RED
Y	YELLOW
U	BLUE

DRAGANFLY MOTORCYCLES

THE OLD TOWN MALTINGS
BROAD STREET, BUNGAY
SUFFOLK NR35 1EE
U.K.

Tel: (0986) 894798



BRAKE LIGHT SWITCH NOT FITTED BEFORE 1953.
PRE 1957 MODELS SNIP OFF EYELED ON DYNAMO WIRES
AND USE LOOSE 188818 TERMINALS SUPPLIED.
SEPERATE WIRTS REQUIRED FOR DIP SWITCH, BRAKE LIGHT
SWITCH, HEAD-LAMP AND HOAN.

W	WHITE
B	BLACK
G	GREEN
N	BROWN
R	RED
Y	YELLOW
U	BLUE

Circuit Diagram.

A diagram of the charging and lighting circuit appears below. The rubber insulation of the wires is individually coloured and these colours are shown on the diagram.

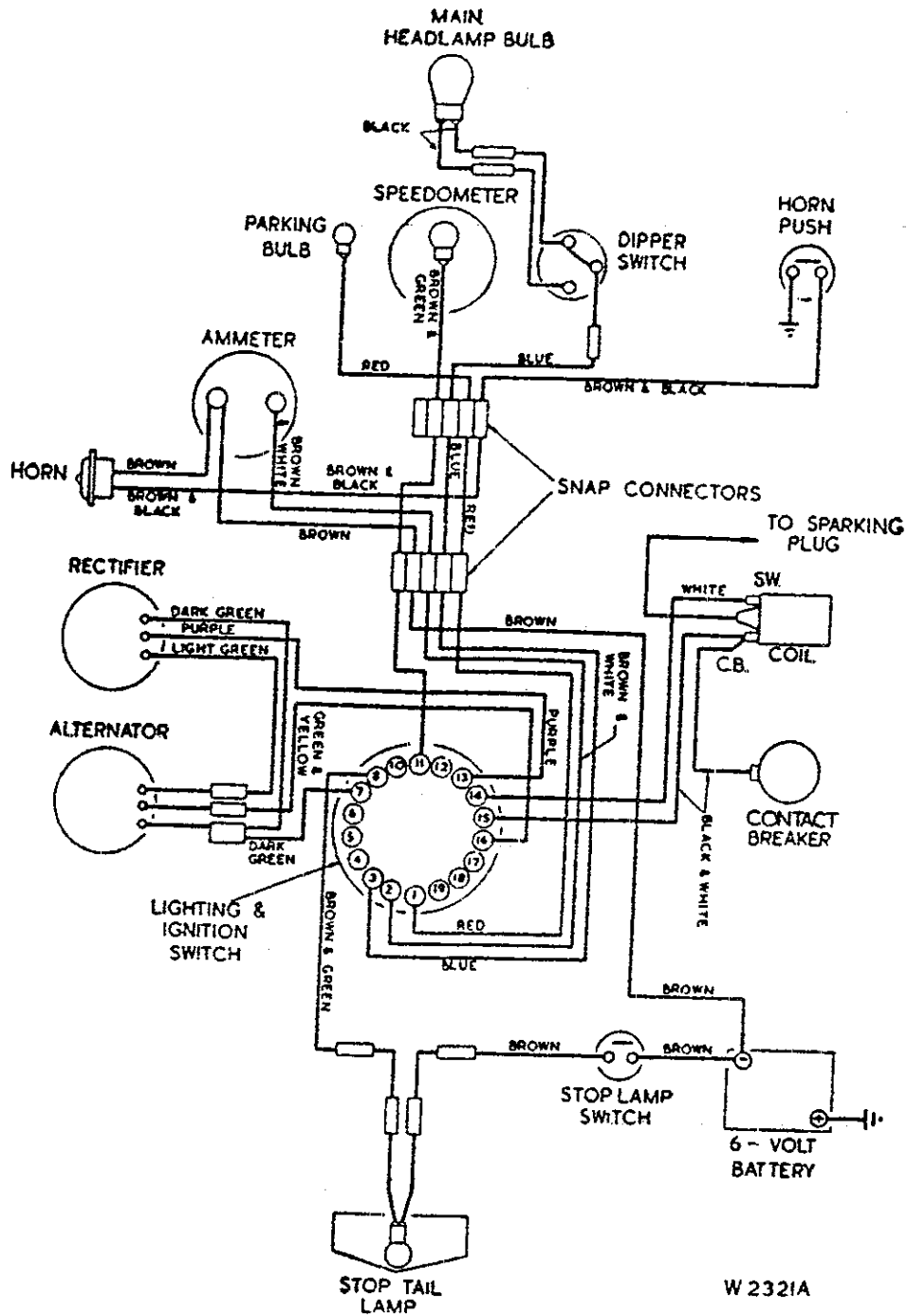
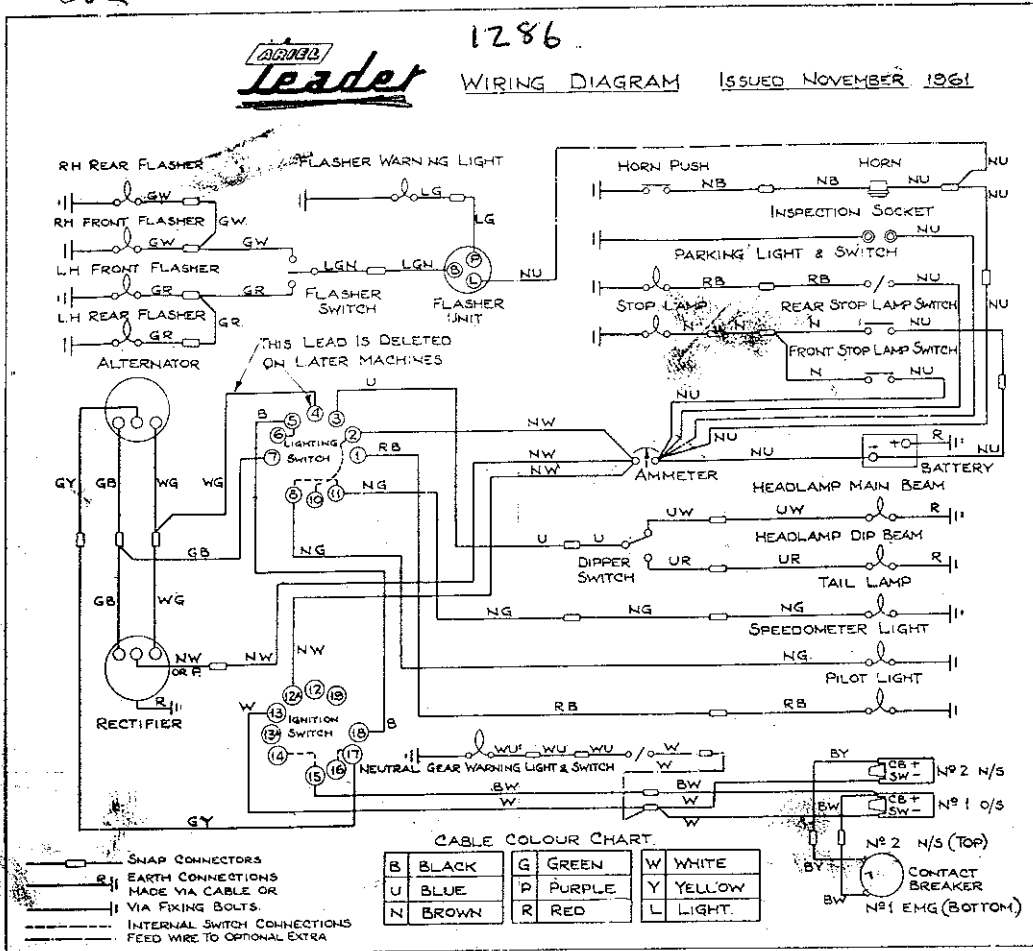


Fig. 24. Wiring Diagram.

73510000 Wakerley D.
1362



1962 onward (with key type ignition switch).

